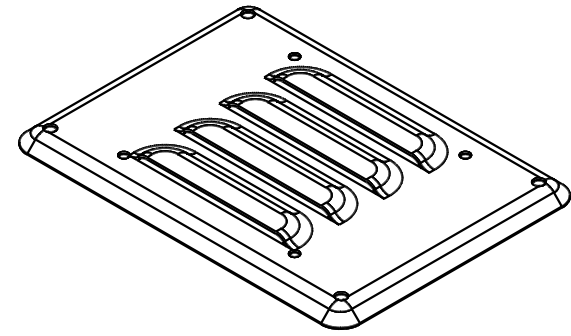
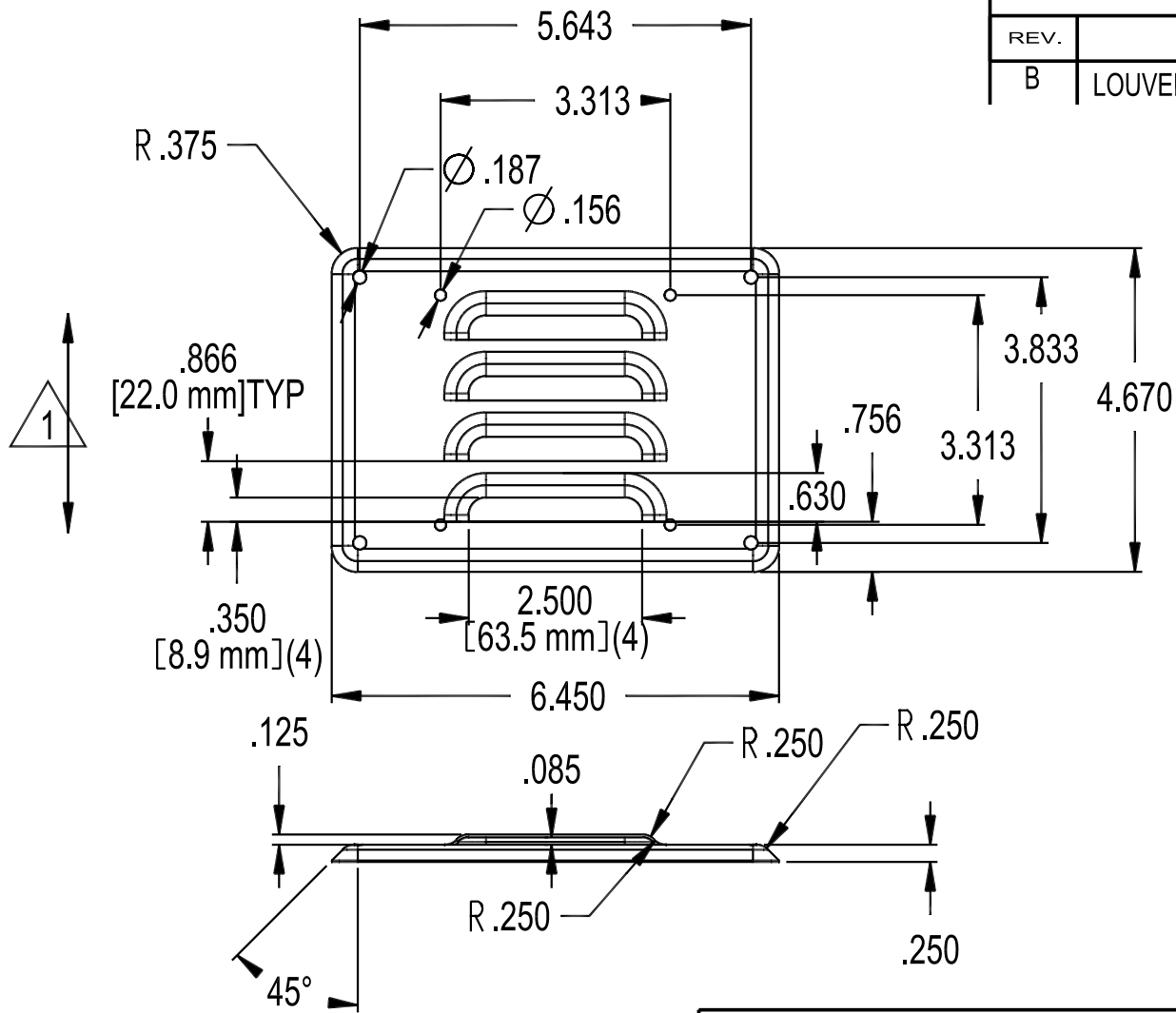


REVISIONS

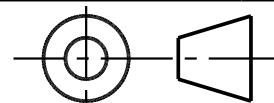
REV.	DESCRIPTION	DATE	APPROVED
B	LOUVER HEIGHT WAS .875"	11-02-06	



THIS DRAWING WAS GENERATED FROM AN ACIS SOLID MODEL.

ALL DIMENSIONS ARE CONTROLLED ON THE SOLID MODEL ON FILE AT MISCO. NO DETAIL OF THIS PART, WHETHER DIMENSIONED ON THIS PRINT OR NOT MAY BE CHANGED WITHOUT MISCO ENGINEERING DEPARTMENT APPROVAL.

DIMENSIONS ARE IN INCHES AND [MILLIMETERS]



MISCO
2637 32nd Avenue South
Minneapolis, MN 55406

UNSPECIFIED TOLERANCE
X ± 1.00mm
.X ± .030 .25mm
.XX ± .010 .10mm
.XXX ± .005
FRACTION ± 1/64
ANGLE ± 2°
HOLES ± .002

TITLE
3-1/4" LOUVER BAFFLE

PART NO.
34AB

1 GRAIN DIRECTION

MATERIAL	ALUMINUM .040	SIZE	A	FSCM NO.	14208	EIA NO. 114	DATE	05-30-06	DWG NO.	SH-3054	REV.	B
FINISH	BRUSHED ALUMINUM, CLEAR ANODIZE	SCALE	NONE	CHECKED BY		APPROVED BY		DRAWN BY	MB	SHEET	1 OF 1	