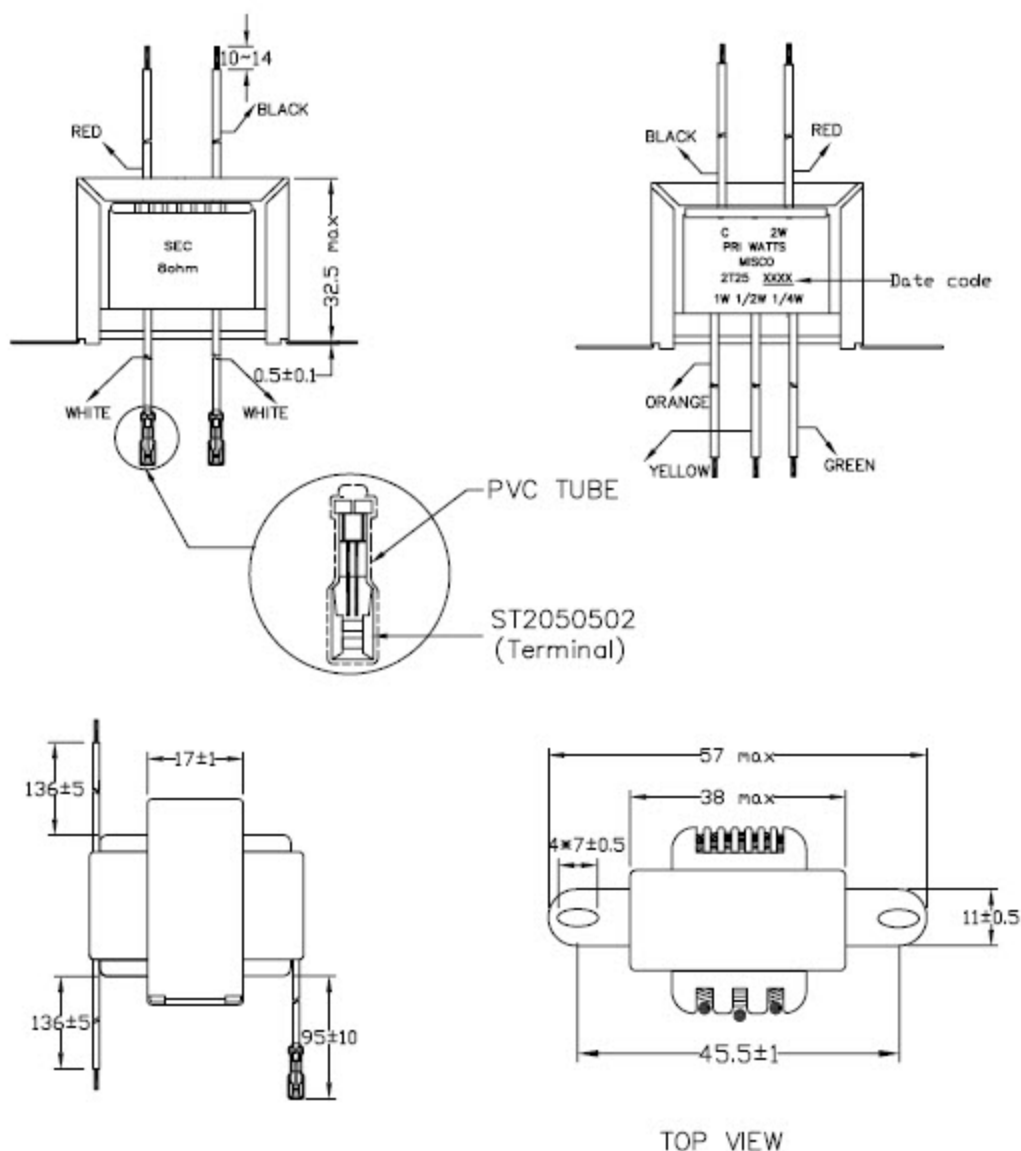


# SPECIFICATION APPROVAL

Customer		P/N:	2T25
----------	--	------	------

1. Configuration & Dimensions: unit: mm

Sheet 1 of 3



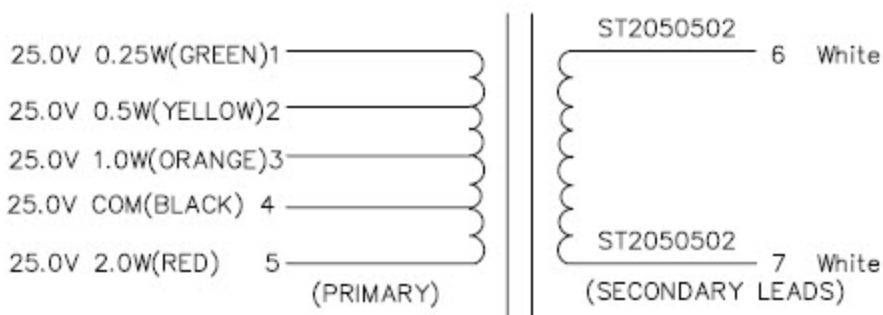
DRAWN	CHECKED	APPROVED	Mfgr. Part No.	<b>2T25</b>
			REV.1	Jul,27,2000
			2	Jul,11,2005
			Date:	Jul 11, 2005

# SPECIFICATION APPROVAL

Customer	P/N: 2T25
----------	-----------

## 2. Schematic:

Sheet 2 of 3



## 3. Lead wire:

- 3-1. Primary leads wire: UL1015#22 105°C 600V OR Equal.
- 3-2. Secondary leads wire: UL1015#22 105°C 600V OR Equal.

4. Frequency response shall be 100Hz to 15KHz±3.2dB.

5. Insertion loss shall be less then 1.5dB, at 1KHz, 1V.

## 6. Electrical characterisitcs:

pin	inducatance (1KHZ 0.3V)	DC resistance (25°C)	impedance (at 400HZ 1.0V second load 8ohm)
4-5	200±25% mH	21.5±15% Ohm	312 Ohm±15%
4-3	390±25% mH	31±15% Ohm	628 Ohm±15%
4-2	770±25% mH	77±15% Ohm	1250 Ohm±15%
4-1	1.5±25% H	146±15% Ohm	2500 Ohm±15%
6-7	6.1±25% mH	0.6±15% Ohm	

Mfgr. Part No.	YST-9975050	REV.1	Jul,27 2000	<b>2T25</b>
		2	Jul,11 2005	
		Date: Jul 11, 2005		

# SPECIFICATION APPROVAL

Customer		P/N:	2T25
7. Hi-pot test:		Sheet 3 of 3	
Apply AC 1.5KV 5mA 60HZ between coil to coil and coil to core for one minute. Then shall not be abnormality.			
<b>MATERIALS LIST:</b>			
COMPONENT PART.	MAT'L	MANUFACTURE	UL FILE NO.
1. Bobbin	NYLON-66	E I Dupont de nemours & co Inc.	E41938(M)
2. Core	EI-35*15 H50	Dong guan electronic co.,ltd	
3. Wire	UEW-B	Chuen Yih wire co.,ltd	E154709(S)
	UEW-2	Jung Shing wire co.,ltd.	E79029(S)
4. Varnish	BC-346A	John C Dolph co., ltd.	E51047(M)
	468-2FC	Ripley resin engineering co inc.	E81777(N)
5. Tape	Polyester 3M #1350 PZ	Minnesota mining & MFG co., ltd.	E17385(N)
		Jingjiong pressure sensitive adhesive factory	E165111(S)
6. lead wire	UL1015 #22AWG	Lu Chiang electric wire & cable Indusrtlal co ltd.	
7. Frame	Steel	Dong Jiang.	
8. Terminal	ST2050502 OR Equal	Dong guan of China.	
9. Tube	PVC Tube	Develop electric co., ltd	E152386(R)
Mfgr. Part No.	YST-9975050	REV.1	Jul,27 2000 <b>2T25</b>
		2	Jul,11 2005
		Date: Jul 11, 2005	