

MODEL 16T70, 16 WATT TRANSFORMERS

Model 16T70 is a high power, full range high quality transformer for use in a constant voltage sound reinforcement systems. The insertion loss does not exceed 1 dB and the frequency response of +/- 1 dB from 50 - 15KHz. The primary taps are 16, 8 and 4 watts. The secondary impedance is 8 ohms. Model 16T70 is designed for 70.7 volt lines. See detailed specifications below.

MODEL 10T70, 10 WATT TRANSFORMERS

Model 10T70 is a 10 watt line matching transformer for use in constant voltage sound reinforcement systems. These units feature an insertion loss that does not exceed 1.6 dB and the frequency response of +/- 1.5 dB from 100 - 10KHz. The primary taps are 10, 5, 2.5, 1.25, .63. The secondary impedance is 8 ohms. Model 10T70 is designed for 70.7 volt lines. See detailed specifications below.

MODEL 8HT70, 8 WATT TRANSFORMER

Model 8HT70 is a full range, high quality transformer utilizing an audio grade core. The insertion loss does not exceed .8 dB and the frequency response of +/-1dB from 60 - 15KHz. The primary taps are 8, 4, 2 and 1 watts. The secondary impedance is 8 ohms. Model 8HT70 is designed for 70.7 volt lines. See detailed specifications below.

MODEL 8T70, 8 WATT TRANSFORMER

Model 8T70 is a full range, high quality transformer utilizing an audio grade core. The insertion loss does not exceed .8 dB and the frequency response of +/-1 dB from 60 - 15KHz. The primary taps are 8, 4, 2, 1 and .5 watts. The secondary impedance is 8 ohm. Model 8T70 is designed for 70.7 volt lines. See detailed specifications below.

MODELS 4T70 AND 4T25, 4 WATT TRANSFORMER

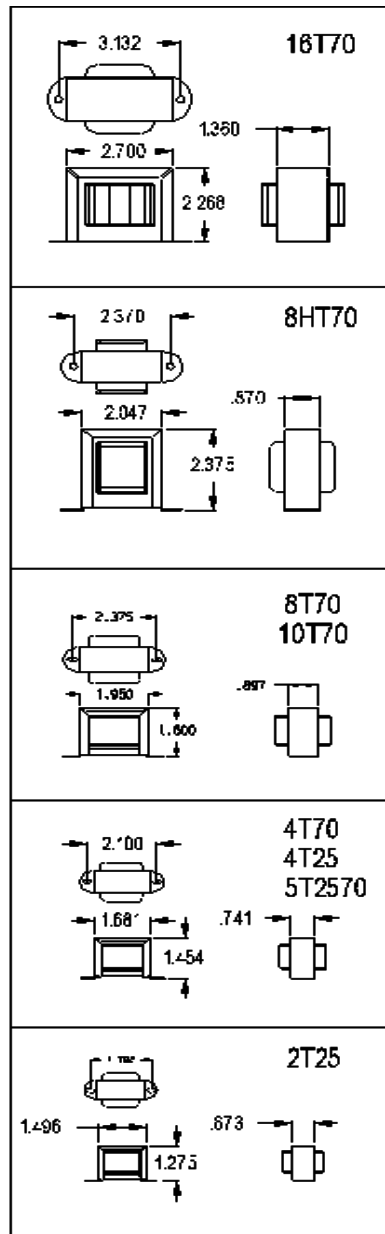
Models 4T70 and 4T25 are 4 watt line matching transformers for use in constant voltage sound reinforcement systems. These units feature an insertion loss that does not exceed 1 dB with a frequency response of +/-1.5 dB from 100 - 10KHz. The primary taps are 4, 2, 1, .5, and .25watts. The secondary impedance is 8 ohms. Model 4T70 is designed for 70.7 volt lines and 4T25 is designed for 25 volt lines. See detailed specifications below.

MODEL 2T25, 2 WATT TRANSFORMER

Model 2T25 is a 2 watt line matching transformer for use in constant voltage sound reinforcement systems. This unit has an insertion loss that does not exceed 1.5 dB with a frequency response of +/- 3.2 dB from 100 - 15KHz. The primary taps are 2, 1, .5, and .25 watts. The secondary impedance is 8 ohms. Model 2T25 is designed for 25 volt lines. See detailed specifications below.

MODEL 5T2570, DUAL VOLTAGE 5 WATT TRANSFORMER

Model 5T2570 is a 5 watt line matching transformer for use in constant voltage sound reinforcement systems. This unit has dual voltage capability and has an insertion loss that does not exceed 1 dB with a frequency response of +/-1.5 dB from 100 - 10KHz. The primary taps are 5, 2.5, 1, .5 and .25 watts. The secondary impedance is 8 ohms. See detailed specifications below.



MODEL NUMBER	PRIMARY VOLTAGE	MAX POWER	PRIMARY TAPS	SECONDARY IMPEDANCE	INSERTION LOSS	CORE SIZE	FREQ RES
16T70	70.7	16 WATTS	16, 8, 4	8 OHMS	1 dB	7/8" X 1-1/4"	50 - 15KHZ +/- 1 dB
10T70	70.7	10 WATTS	10, 5, 2.5, 1.25, .63	8 OHMS	1.6 dB	5/8" x 5/8"	100 - 10KHZ +/- 1.5 dB
8HT70	70.7	8 WATTS	8, 4, 2, 1	8 OHMS	.8 dB	3/4" X 3/4"	60 - 15KHZ +/- 1 dB
8T70	70.7	8 WATTS	8, 4, 2, 1, .5	8 OHMS	.8 dB	5/8" X 5/8"	60 - 15KHZ +/- 1 dB
4T70	70.7	4 WATTS	4, 2, 1, .5, .25	8 OHMS	1 dB	5/8" x 1/2"	100 - 10KHZ +/-1.5 dB
4T25	25	4 WATTS	4, 2, 1, .5, .25	8 OHMS	1 dB	5/8" x 1/2"	100 - 10KHZ +/-1.5 dB
2T25	25	2 WATTS	2, 1, .5, .25	8 OHMS	1.5 dB	3/8" x 1/2"	100 - 15KHZ +/- 3.2 dB
5T2570	25 & 70.7	5 WATTS	5, 2.5, 1, .5, .25	8 OHMS	1 dB	5/8" x 1/2"	100 - 10KHZ +/-1.5 dB