

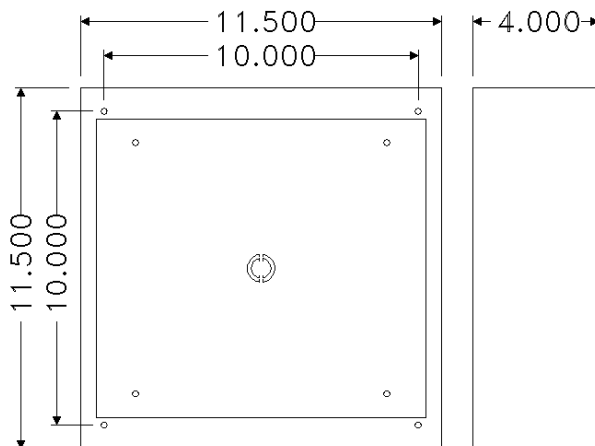
BAF-844EP Square Enclosure for Vandal Proof Speaker Baffle

Model BAF-844EP is a square surface enclosure for Model BAF-844GP square vandal proof speaker baffle.

Each unit is manufactured of 16-gauge cold rolled steel for maximum strength. Each unit is of welded construction, including one combination 1/2" & 3/4" knockout and four mounting holes on the back.

Interior acoustical treatment is provided with flame retardant polycell material.

The enclosure finish is Baked White Powder Polyester Paint for outdoor installations. Paint is electrostatically applied for maximum paint adhesion and scratch resistivity. Threaded holes are standard for mounting the speaker grille.



Architects' and Engineers' Specifications

The vandal proof speaker enclosure shall be MISCO Model BAF-844EP or approved equal. Enclosure shall be manufactured of 16-gauge cold rolled steel. It shall mount MISCO vandal proof grille Model BAF-844GP for 8" loudspeaker or approved equivalent. Four mounting holes and one combination 1/2" and 3/4" knockout shall be provided. Enclosure shall have interior acoustical treatment using flame retardant polycell material. Finish shall be electrostatically applied Baked White Powder Polyester Paint for outdoor installations.

2637 32nd AVENUE SOUTH
MINNEAPOLIS, MN 55406-1641
www.miscospeakers.com

(612) 825-1010
FAX 825-7010
info@miscospeakers.com