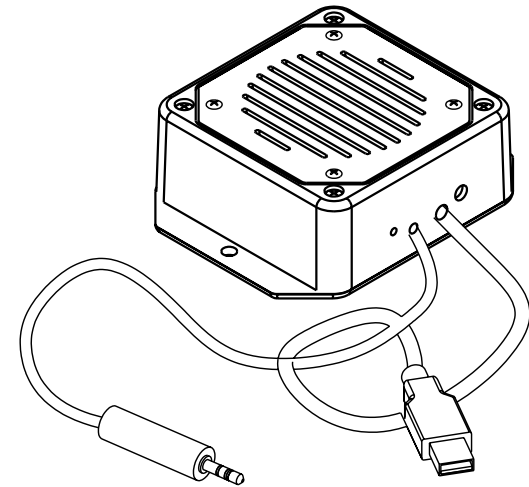
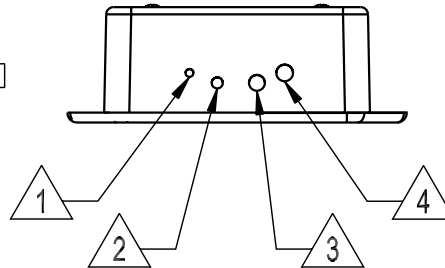
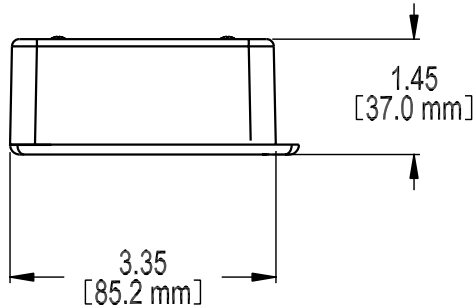


REVISIONS			
REV.	DESCRIPTION	DATE	APPROVED
A	TITLE WAS 3-1/4" PORTABLE SPEAKER, 8 ohm	5-01-08	DD



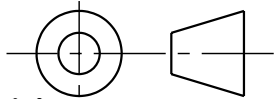
THIS DRAWING WAS GENERATED FROM AN ACIS SOLID MODEL.



ALL DIMENSIONS ARE CONTROLLED ON THE SOLID MODEL ON FILE AT MISCO. NO DETAIL OF THIS PART, WHETHER DIMENSIONED ON THIS PRINT OR NOT MAY BE CHANGED WITHOUT MISCO ENGINEERING DEPARTMENT APPROVAL.

NOTE

1. GREEN L.E.D., POWER "ON"
2. AUDIO INPUT: 1/8" [3.5mm] STEREO PLUG, 11-1/2" LONG CABLE.
3. POWER INPUT: TYPE A USB PLUG, 11-1/2" LONG CABLE.
4. VOLUME CONTROL, ADJUSTABLE WITH SMALL PHILLIPS SCREWDRIVER.
5. SPEAKER IS MISCO AN22WP-8A, 2-1/2" WATERPROOF.
6. CASE IS BLACK ABS PLASTIC.
7. 2x3 VELCRO ATTACHMENT STRIPS INCLUDED.

DIMENSIONS ARE IN INCHES AND [MILLIMETERS]						
 MISCO 2637 32nd Avenue South Minneapolis, MN 55406	UNSPECIFIED TOLERANCE X ± 1.00mm .X ± .030 .25mm .XX ± .010 .10mm .XXX ± .005		TITLE 3.5" USB POWERED VOICE SPEAKER			
	MATERIAL AS SPECIFIED		PART NO. Z9740			
FINISH SEE NOTE	SIZE A	FSCM NO. 14208	EIA NO. 114	DATE 4-29-08	DWG NO. SH-3503	REV. A
SCALE NONE			CHECKED BY DD	APPROVED BY DD	DRAWN BY MB	SHEET 1 OF 1