

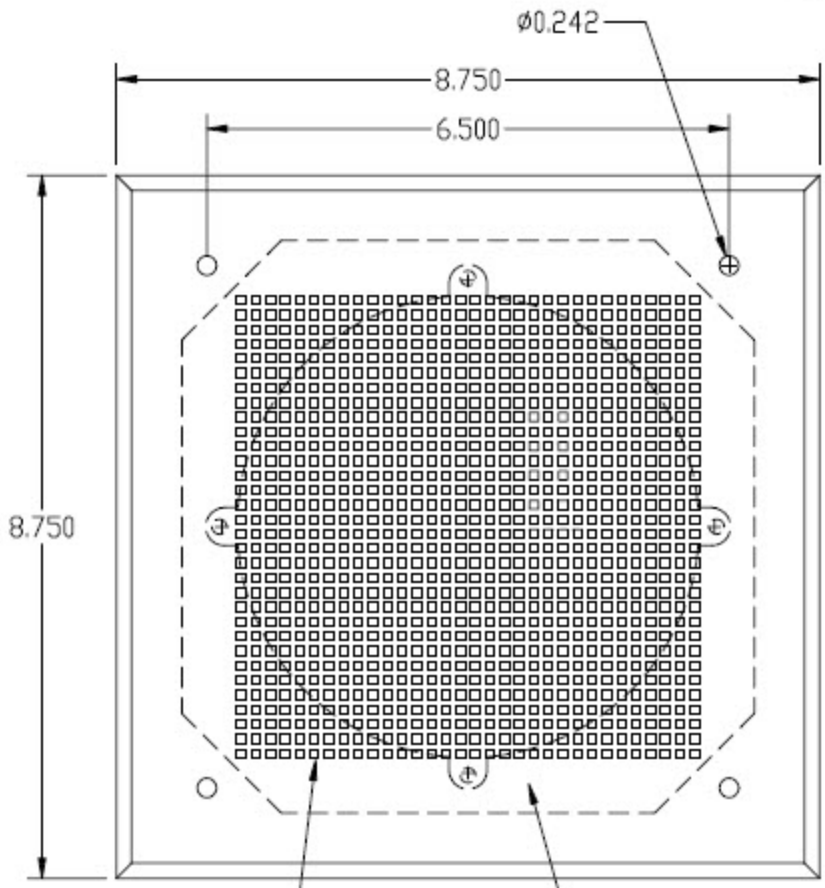
CR #67072

P/N 6SSB-B

MATERIAL: .030 S.S. (TYPE 304)

FINISH: # 4 BRUSHED, THEN PAINTED IVORY

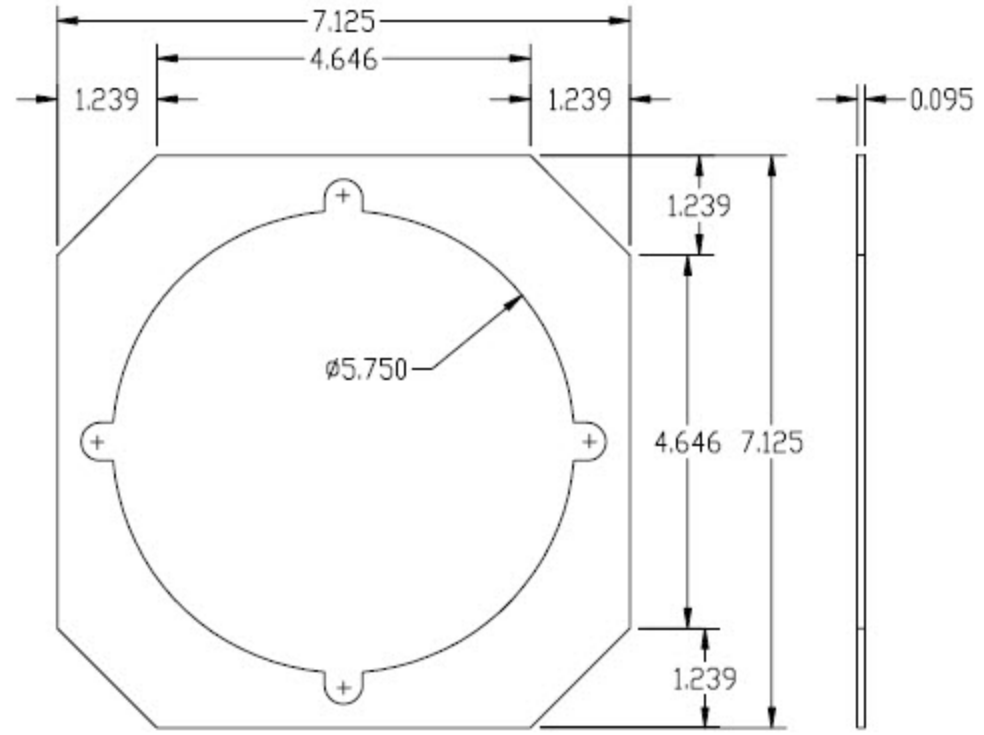
DEBURR ALL SHARP EDGES SQUARE SPEAKER GASKET
MATERIAL: .095 CHIP BOARD W/FIRE RETARDANT COATING



0.110" SQUARE HOLES
GASKET



(4) #8-32X1" LONG
CRS. STUDS COPPER FLASHED.



HARDWARE:

- (1) SQ. SPEAKER GASKET
- (4) # 8-32 PAL-NUTS
- (4) 10-32 X 1 STAINLESS STEEL PHILLIPS PHMS

GRILLES,GASKETS AND HARDWARES
ARE BULK PACKAGED

WITH .110" SQUARE PERF OPENINGS

FILE: BAF879
REVISION: 071508
REVISED 07/15/08

MISCO