

THIS IS A "BUILT TO ORDER" PRODUCT

REQUEST A QUOTE

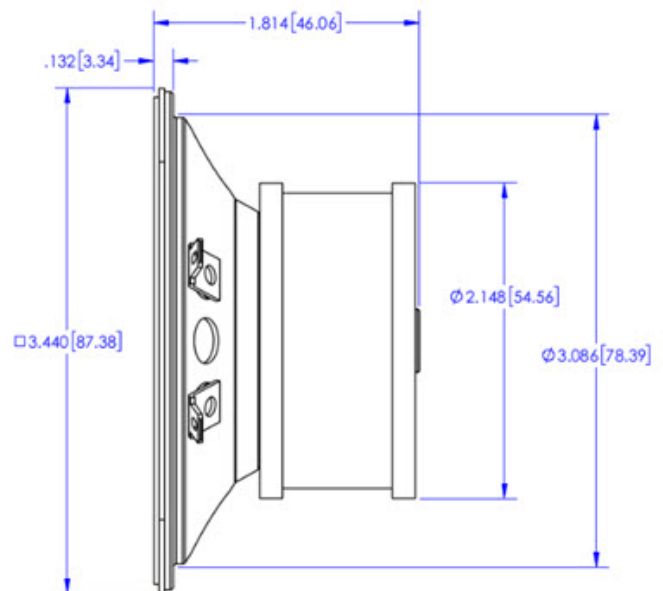
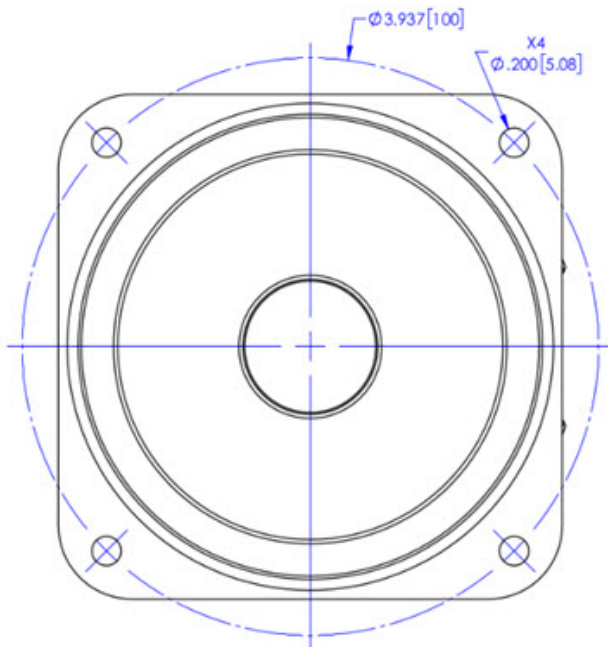
This driver makes dependable, high output sounds for harsh indoor and outdoor environments. A massive alnico magnet creates a loud and resonant response while a unique and durable phenolic resin treatment seals its cloth cone and proofs it from water, dust, and various chemicals. Choose the C5-15-4873 if you're looking for an alarm speaker designed to blast and last.

- Low/Mid-Range Alarm Speaker
- 3.5" (89 mm) Basket Diameter
- 3 Watt, 3 Ohms
- 4.6 Oz Alnico Magnet
- Stamped-Steel Frame
- Phenolic Resin Treated Cone
- National Stock # 5965-00133-0694



Primary Specifications

Size, Nominal (inch & mm)	3.5" (89 mm)
Rated Impedance (Ω)	3
Sensitivity (dB SPL) ¹	91
Frequency Range (Hz)	300 - 12,000
Resonant Frequency (Fs) (Hz)	450



More Specifications

Application	Indoor, Military, Outdoor , Signal / Alarm Systems
DC Resistance (Re) (Ω)	3.0

Small Signal Parameters

Nominal Impedance (Z) (Ω)	3
DC Resistance (Re) (Ω)	3.0
Resonant Frequency (Fs) (Hz)	450
Total Q Factor (Qts)	0.83

Material Descriptions

Basket Type	Black Powder Coat Stamped-Steel
Terminal Size (mm)	4.7 x 0.5 mm
Voice Coil Diameter (mm)	19.38
Voice Coil Wire Material	High Temperature Copper
Voice Coil Former Material	Aluminum
Magnet Material	Alnico
Magnet Weight (gm)	130.41
Cone Body Material	Phenolic Treated Cloth
Cone Surround Material	Phenolic Treated Cloth
Dust Cap Material	Phenolic Treated Cloth
Net Weight (kg)	0.84



