

THIS IS A "BUILT TO ORDER" PRODUCT

REQUEST A QUOTE

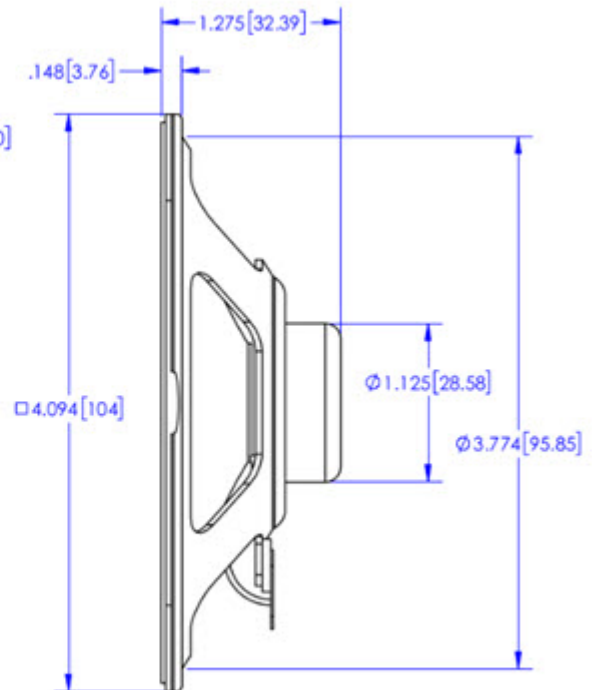
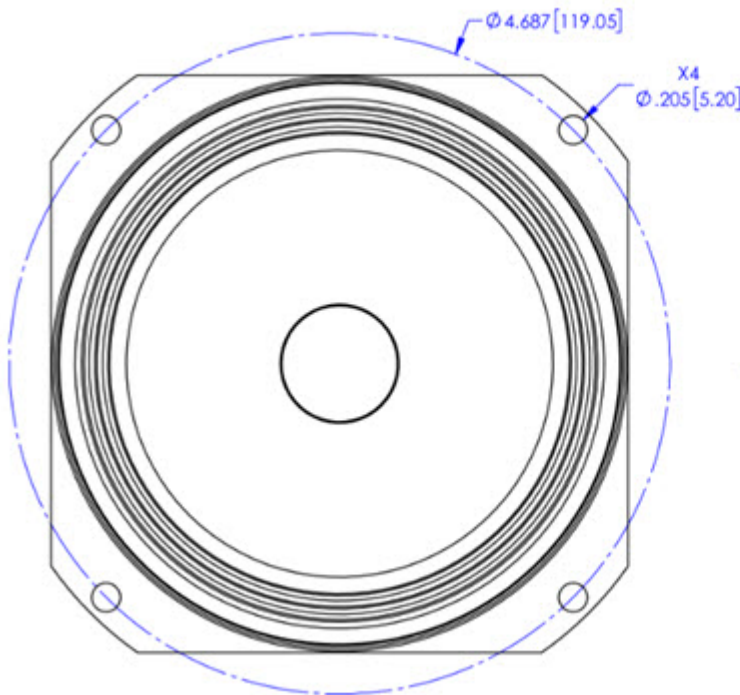
The EEN4FR-8A creates voice range sound engineered for aerospace interior cabins. An aluminum basket and neodymium magnet reduces this speaker's weight from the more common stamped-steel basket. The wire harness connects with the 4-40 screw terminals for a strong mechanical connection without solder. This speaker meets applicable Federal Aviation Administration's testing standards in DO-160F & DO-214. Choose the EEN4FR-8A if you want a light-weight, efficient, and reliable solution to your aerospace audio needs.

- Voice Range Speaker
- 4" (100 mm) Basket Diameter
- 5 Watts, 8 Ohms
- High Energy Neodymium Magnet
- Aluminum Frame
- Tested to DO160F & DO-214



Primary Specifications

Size, Nominal (inch & mm)	4" (100 mm)
Rated Impedance (Ω)	8
Sensitivity (dB SPL) ¹	90
Frequency Range (Hz)	200 - 6,000
Resonant Frequency (Fs) (Hz)	170



More Specifications

Application	Aerospace, Indoor, Voice Communications
RoHS Compliant	No
DC Resistance (Re) (Ω)	7.4
Program Power (W)	15

Small Signal Parameters

Nominal Impedance (Z) (Ω)	8
DC Resistance (Re) (Ω)	7.4
Resonant Frequency (Fs) (Hz)	170
Total Q Factor (Qts)	0.83

Material Descriptions

Basket Type	Black Powder Coat Stamped Aluminum
Terminal Size (mm)	4.7 mm x 0.5 mm
Voice Coil Diameter (mm)	14.5
Voice Coil Wire Material	High Temperature Copper
Voice Coil Former Material	Polyimide Film
Magnet Material	Neodymium
Magnet Weight (gm)	22.68
Cone Body Material	Flame Retardant Paper Composite
Cone Surround Material	Flame Retardant Cloth
Dust Cap Material	Flame Retardant Paper Composite
Net Weight (kg)	0.1



