

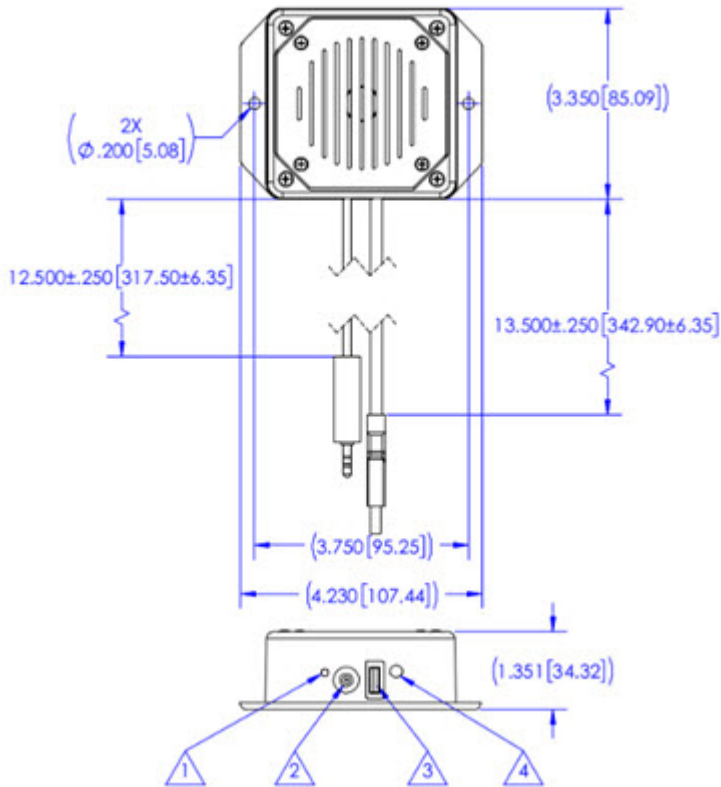
Need an easy to install speaker for indoor sound built to last? Want a self-contained unit with volume controls and a USB power option? Then this enclosed speaker/amp combo is the best solution for you. A treated cone and a high-power neodymium magnet within a plastic enclosure make this an environmentally resistant, all-in-one product. That, paired with a built-in mono power amplifier, provides amplified sound right out of the box.

- Voice Range Speaker
- 3.3" (83 mm) Diameter
- 4 Watts, 8 Ohms
- High Power Neodymium Magnet
- USB-Powered Mono Power Amplifier
- Low Distortion



Primary Specifications

Size, Nominal (inch & mm)	3.3" (83 mm)
Rated Impedance (Ω)	8
Sensitivity (dB SPL) ¹	84
Frequency Range (Hz)	350 - 9,000
Resonant Frequency (Fs) (Hz)	341



More Specifications

Application	Drive-Thru / Kiosk, Outdoor , Voice Communications
RoHS Compliant	Yes
Program Power (W)	8

Small Signal Parameters

Resonant Frequency (Fs) (Hz)	341
Total Q Factor (Qts)	0.83

Material Descriptions

Basket Type	Stamped Steel, Black Power Coat Finish
Terminal Size (mm)	4.7 mm x 0.5 mm
Voice Coil Diameter (mm)	17.8mm
Voice Coil Wire Material	High Temperature Copper
Voice Coil Former Material	Kapton
Magnet Material	Neodymium
Magnet Weight (gm)	4
Cone Body Material	Acrylic Treated Cloth
Cone Surround Material	Acrylic Treated Cloth
Dust Cap Material	Mylar (Polyester)
Net Weight (kg)	0.168

