

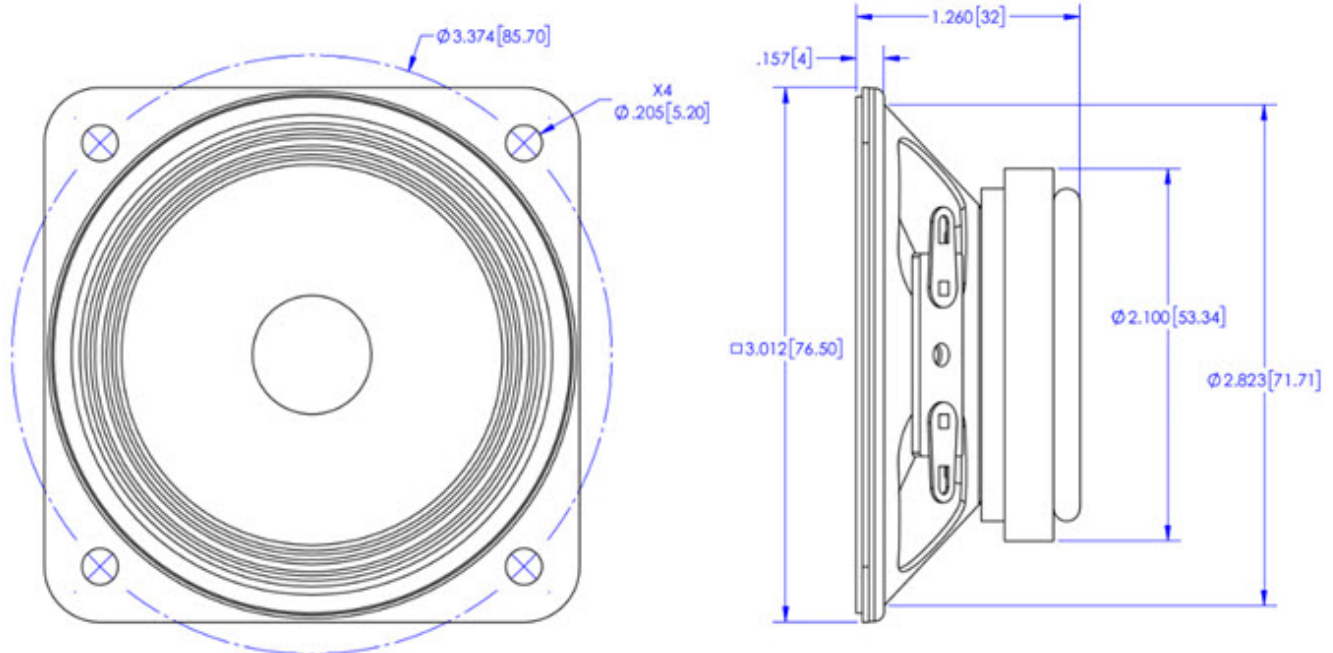
A 3" all-weather replacement speaker for your voice applications! The DC3WP-45 is an ideal speaker for communication systems in need of a 45 ohm driver. It sports an acrylic treated cloth cone that prevents moisture absorption from rain and high humidity.

- Voice Range Driver
- 3" (77 mm) Diameter
- 6 Watts, 45 Ohms
- -67°F (-55°C) to +185°F (+85°C)
- Acrylic Treated Cloth Cone
- 87 dB SPL



Primary Specifications

Size, Nominal (inch & mm)	3" (77 mm)
Rated Impedance (Ω)	45
Sensitivity (dB SPL) ¹	87
Frequency Range (Hz)	250 - 7,000
Resonant Frequency (Fs) (Hz)	300



More Specifications

Application	Voice Communications
RoHS Compliant	No
Program Power (W)	12

Small Signal Parameters

Nominal Impedance (Z) (Ω)	8
Resonant Frequency (Fs) (Hz)	300
Total Q Factor (Qts)	1.59

Material Descriptions

Basket Type	Stamped steel
Terminal Size (mm)	4.7 x 0.5
Voice Coil Diameter (mm)	14.5288
Voice Coil Wire Material	High temperature copper
Voice Coil Former Material	Aluminum
Magnet Material	Ferrite
Magnet Weight (gm)	68.04
Cone Body Material	Acrylic treated cloth
Cone Surround Material	Acrylic treated cloth
Spider Material	Cotton
Dust Cap Material	Felt
Net Weight (kg)	0.215

