

THIS IS A "BUILT TO ORDER" PRODUCT

REQUEST A QUOTE

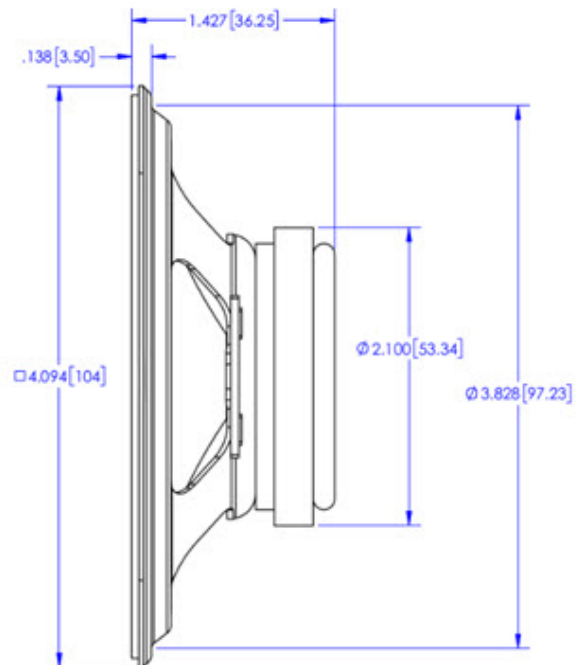
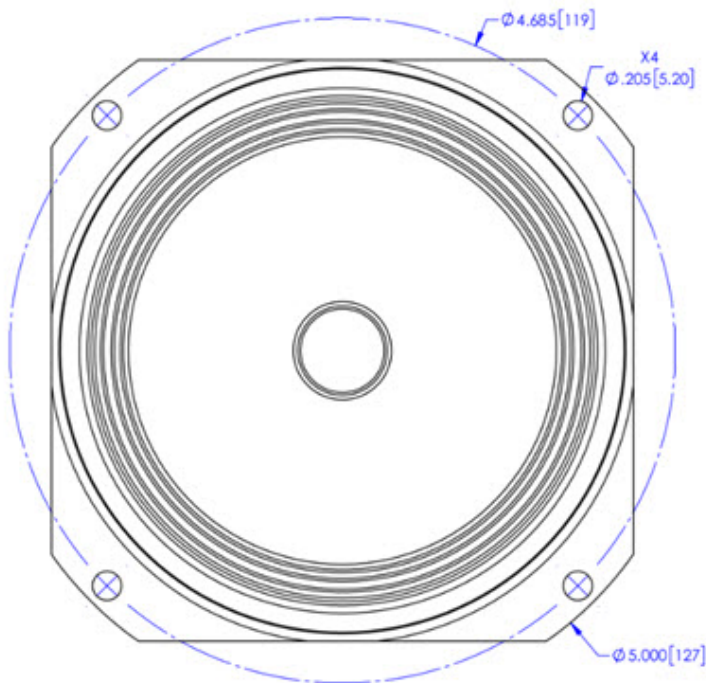
This 4" driver is designed for outdoor voice communications in intercom and drive-thru applications. A waterproofed cone provides protection against moisture absorption from rain and high humidity.

- Voice Range Driver
- 4" (100 mm) Diameter
- 6 Watts, 8 Ohms
- -67°F (-55°C) to +185°F (+85°C)
- Acrylic Treated Cloth Cone
- 93 dB SPL



Primary Specifications

Size, Nominal (inch & mm)	4" (100 mm)
Rated Impedance (Ω)	8
Sensitivity (dB SPL) ¹	93
Frequency Range (Hz)	180 - 10,000
Resonant Frequency (Fs) (Hz)	200



More Specifications

Application	Voice Communications
RoHS Compliant	No
DC Resistance (Re) (Ω)	8
Program Power (W)	12

Small Signal Parameters

Nominal Impedance (Z) (Ω)	8
DC Resistance (Re) (Ω)	8
Resonant Frequency (Fs) (Hz)	200
Total Q Factor (Qts)	1.5

Material Descriptions

Basket Type	Stamped Steel
Voice Coil Diameter (mm)	14.53
Voice Coil Wire Material	Aluminum
Voice Coil Former Material	Kapton
Magnet Material	Ferrite
Magnet Weight (gm)	66.6
Cone Body Material	Acrylic Treated Cloth
Spider Material	Cotton
Dust Cap Material	Cloth
Net Weight (kg)	0.06

