

THIS IS A "BUILT TO ORDER" PRODUCT

REQUEST A QUOTE

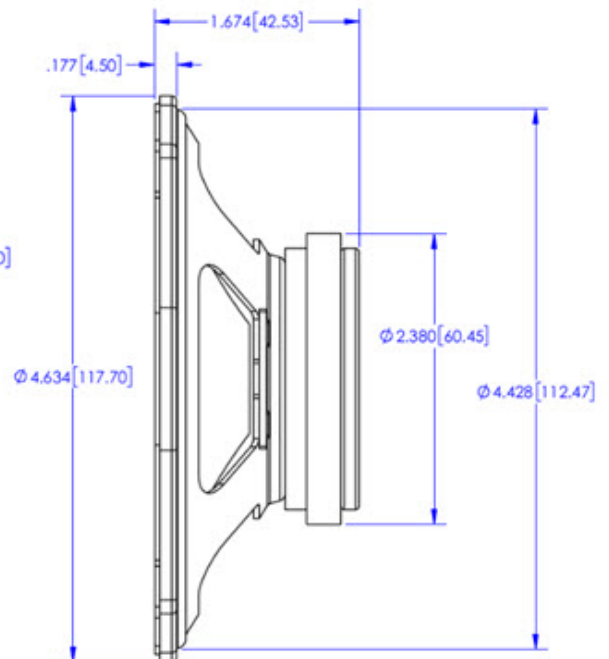
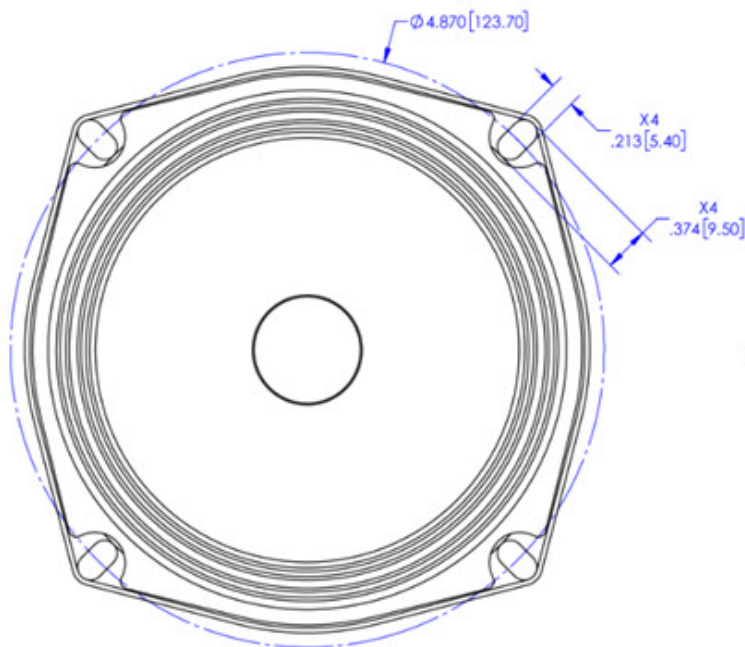
Choose the EC5WP for a 4.5" driver designed for outdoor communications in menu boards and mass transit applications, ready to withstand direct moisture and extreme temperatures

- Voice Range Speaker
- 4.5" (114 mm) Diameter
- 6 Watts, 8 Ohms
- -67°F (-55°C) to +185°F (+85°C)
- Acrylic Treated Cloth Cone, Waterproof
- 92 dB SPL



Primary Specifications

Size, Nominal (inch & mm)	4.5" (114 mm)
Rated Impedance (Ω)	8
Sensitivity (dB SPL) ¹	92
Frequency Range (Hz)	120 - 8, 000
Resonant Frequency (Fs) (Hz)	254



More Specifications

Application	Voice Communications
RoHS Compliant	No
DC Resistance (Re) (Ω)	8
Program Power (W)	12

Small Signal Parameters

Nominal Impedance (Z) (Ω)	8
DC Resistance (Re) (Ω)	8
Resonant Frequency (Fs) (Hz)	254
Total Q Factor (Qts)	4.0

Material Descriptions

Basket Type	Stamped Steel
Terminal Size (mm)	4.7 x 0.5
Voice Coil Diameter (mm)	19.38
Voice Coil Wire Material	High Temperature Copper
Voice Coil Former Material	Nomex
Magnet Material	Ferrite
Magnet Weight (gm)	85.05
Cone Body Material	Acrylic Treated Cloth
Cone Surround Material	Acrylic Treated Cloth
Spider Material	Cotton
Dust Cap Material	Acrylic Treated Cloth
Net Weight (kg)	0.333

