

THIS IS A "BUILT TO ORDER" PRODUCT

REQUEST A QUOTE

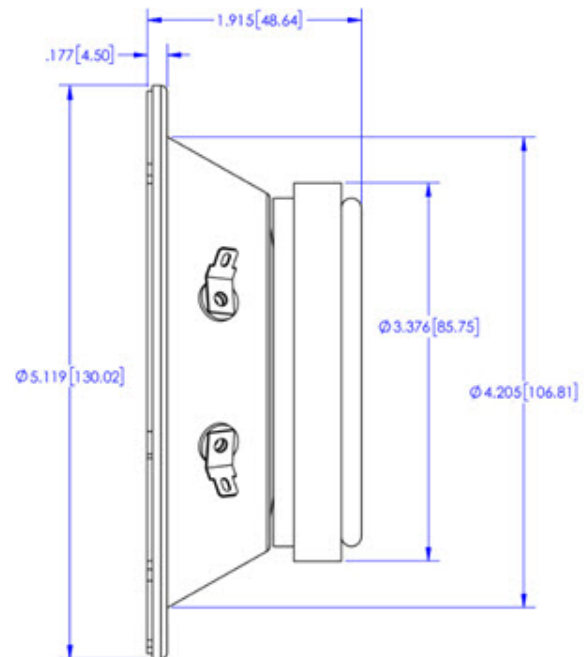
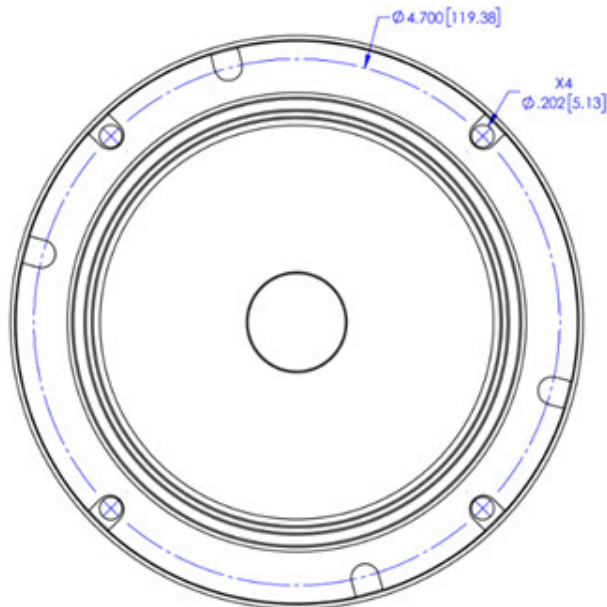
The JC5WI is ideal for applications that need a driver that also functions as a microphone. Its unique self-enclosed design filters out low frequency noise and reduces distortion caused by ambient noise in voice communication systems.

- Voice Range Microphone Driver
- 5" (127 mm) Diameter
- 15 Watts, 8 Ohms
- Acrylic Treated Cloth Cone
- 102 dB SPL



Primary Specifications

Size, Nominal (inch & mm)	5" (127 mm)
Rated Impedance (Ω)	8
Sensitivity (dB SPL) ¹	102
Frequency Range (Hz)	450 - 8,000
Resonant Frequency (Fs) (Hz)	726



More Specifications

Application	Voice Communications
RoHS Compliant	No
DC Resistance (Re) (Ω)	8
Program Power (W)	30

Small Signal Parameters

Nominal Impedance (Z) (Ω)	8
DC Resistance (Re) (Ω)	8
Resonant Frequency (Fs) (Hz)	726
Total Q Factor (Qts)	2.27

Material Descriptions

Basket Type	Stamped Steel
Terminal Size (mm)	4.7 mm x 0.5 mm
Voice Coil Diameter (mm)	19.38
Voice Coil Wire Material	High Temperature Copper
Voice Coil Former Material	Aluminum
Magnet Material	Ferrite
Magnet Weight (gm)	283.5
Cone Body Material	Acrylic Treated Cloth
Cone Surround Material	Acrylic Treated Cloth
Spider Material	Cotton
Dust Cap Material	Acrylic Treated Cloth
Net Weight (kg)	0.80

