

THIS IS A "BUILT TO ORDER" PRODUCT

REQUEST A QUOTE

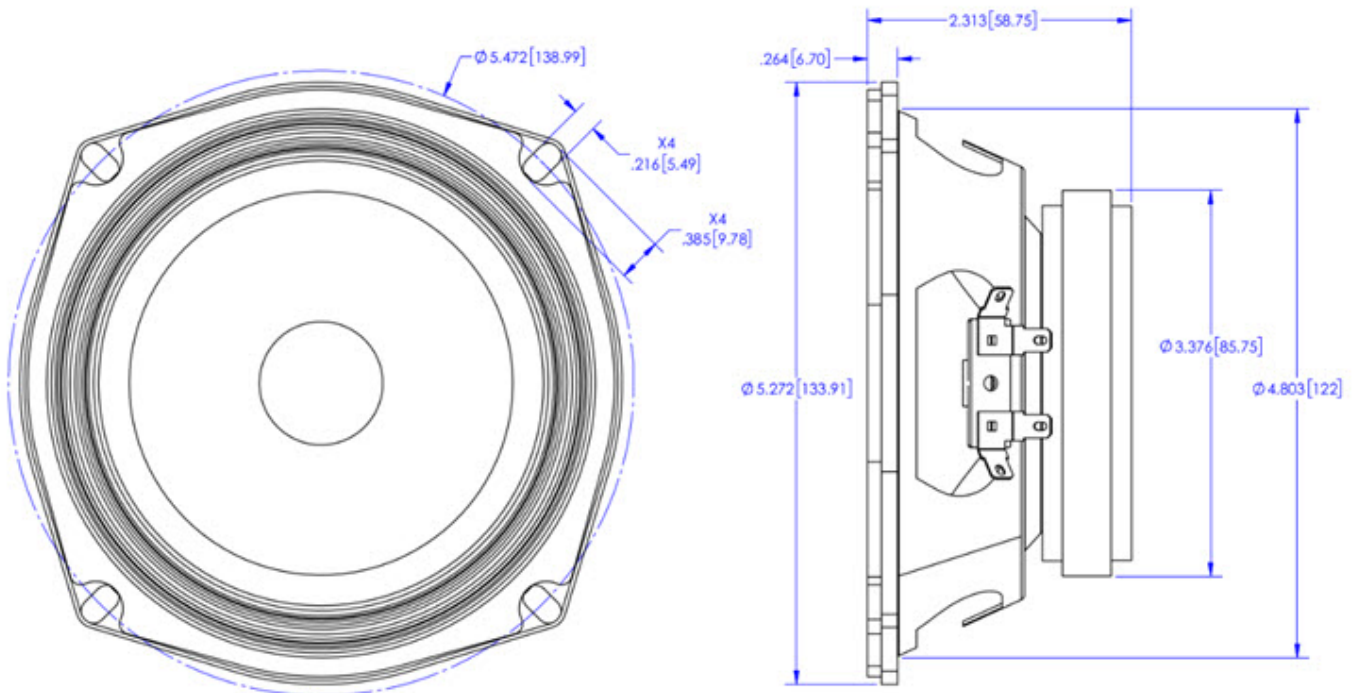
MISCO's JC54WP-4A wide range driver is ideal for bus transit and other applications in need of high-quality voice reproduction. A waterproof treatment ensures a long-lasting solution in your next sound project.

- Full Range Driver
- 5.25" (133 mm) Diameter
- 15 Watts, 4 Ohms
- Talc filled Polypropylene Cone
- 89 dB SPL



Primary Specifications

Size, Nominal (inch & mm)	5" (127 mm)
Rated Impedance (Ω)	4
Sensitivity (dB SPL) ¹	89
Frequency Range (Hz)	100 - 12, 000
Resonant Frequency (Fs) (Hz)	103



More Specifications

Application	Transit, Voice Communications
RoHS Compliant	No
DC Resistance (Re) (Ω)	4
Program Power (W)	30

Small Signal Parameters

Nominal Impedance (Z) (Ω)	4
DC Resistance (Re) (Ω)	4
Resonant Frequency (Fs) (Hz)	103
Total Q Factor (Qts)	0.7

Material Descriptions

Basket Type	Stamped Steel
Terminal Size (mm)	5.2 mm x 0.5 mm
Voice Coil Diameter (mm)	25.78
Voice Coil Wire Material	High Temperature Copper
Voice Coil Former Material	Aluminum
Magnet Material	Ferrite
Magnet Weight (gm)	283.5
Cone Body Material	Polypropylene, Talc Filled
Cone Surround Material	Treated Cloth
Spider Material	Cotton
Dust Cap Material	Plastic
Net Weight (kg)	0.81

