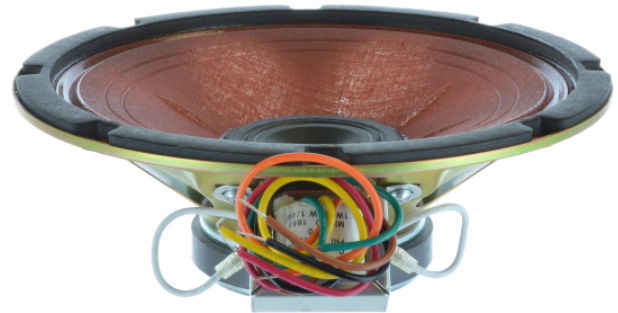


THIS IS A "BUILT TO ORDER" PRODUCT

**REQUEST A QUOTE**

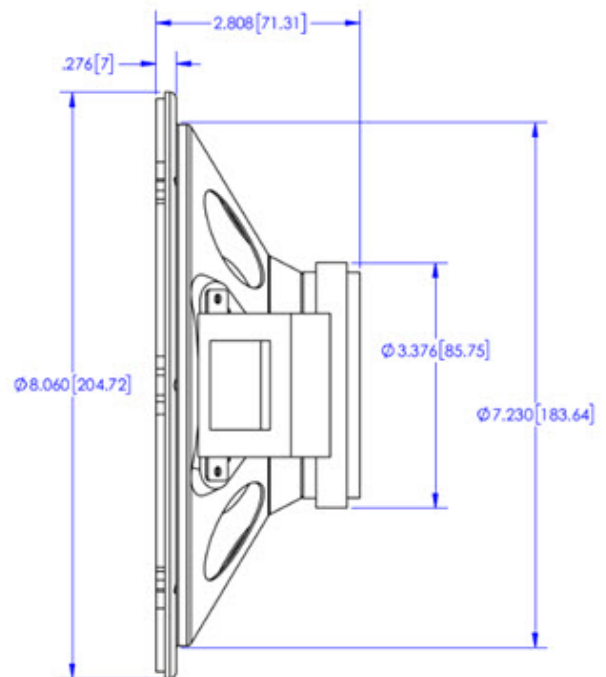
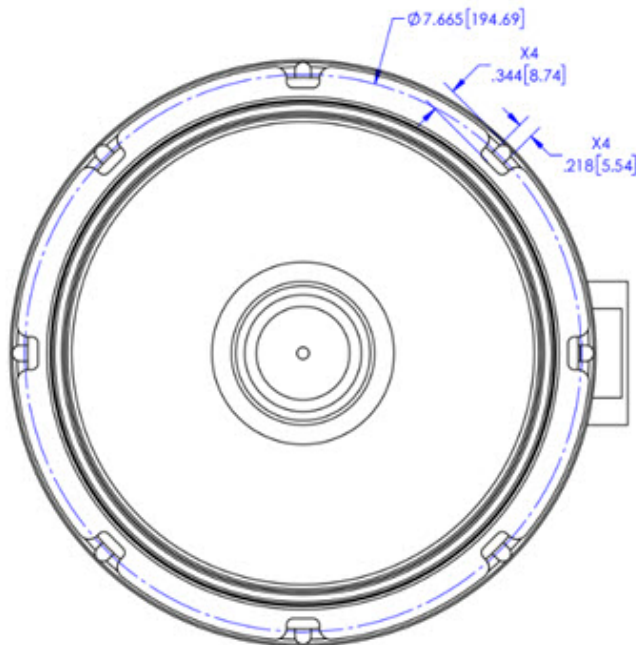
The JC80WP-4T70 8" waterproof loudspeaker with transformer performs best in installations needing both excellent sound quality and durability under tough environmental conditions. This model features a treated paper cone and a piezo tweeter phase-coupled to the low frequency driver to cut phase distortion and produce an extended frequency range.

- Extended range coaxial with piezo tweeter
- 8" (203 mm) basket diameter
- 8 ohm, 15 watt speaker
- 4 watt, 70 volt transformer
- -67°F (-55°C) to +185°F (+85°C)
- Acrylic treated cloth cone
- 93 dB SPL



### Primary Specifications

<b>Size, Nominal (inch &amp; mm)</b>	8" (203 mm)
<b>Rated Impedance (Ω)</b>	8
<b>Sensitivity (dB SPL) <sup>1</sup></b>	93
<b>Frequency Range (Hz)</b>	50 - 18,000
<b>Resonant Frequency (Fs) (Hz)</b>	100



## More Specifications

<b>Application</b>	Indoor, Musical Instruments, Transit, Voice Communications
<b>RoHS Compliant</b>	No
<b>DC Resistance (Re) (<math>\Omega</math>)</b>	8
<b>Program Power (W)</b>	30

## Small Signal Parameters

<b>Nominal Impedance (Z) (<math>\Omega</math>)</b>	8
<b>DC Resistance (Re) (<math>\Omega</math>)</b>	8
<b>Resonant Frequency (Fs) (Hz)</b>	100
<b>Total Q Factor (Qts)</b>	0.79

## Material Descriptions

<b>Basket Type</b>	Stamped steel
<b>Terminal Size (mm)</b>	5.2 mm x 0.5 mm
<b>Voice Coil Diameter (mm)</b>	25.78
<b>Voice Coil Wire Material</b>	High Temperature Copper
<b>Voice Coil Former Material</b>	Aluminum
<b>Magnet Material</b>	Ferrite
<b>Magnet Weight (gm)</b>	283.5
<b>Cone Body Material</b>	Acrylic treated cloth
<b>Cone Surround Material</b>	Acrylic treated cloth
<b>Spider Material</b>	Cotton
<b>Dust Cap Material</b>	Paper composite
<b>Net Weight (kg)</b>	2.02

