

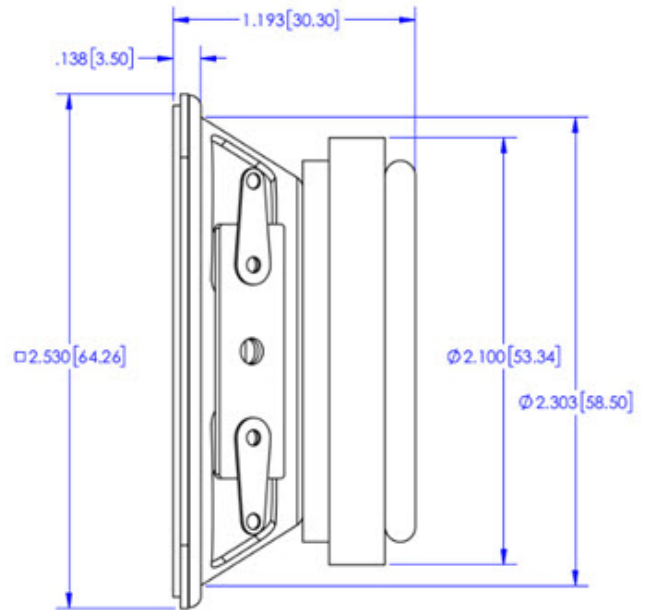
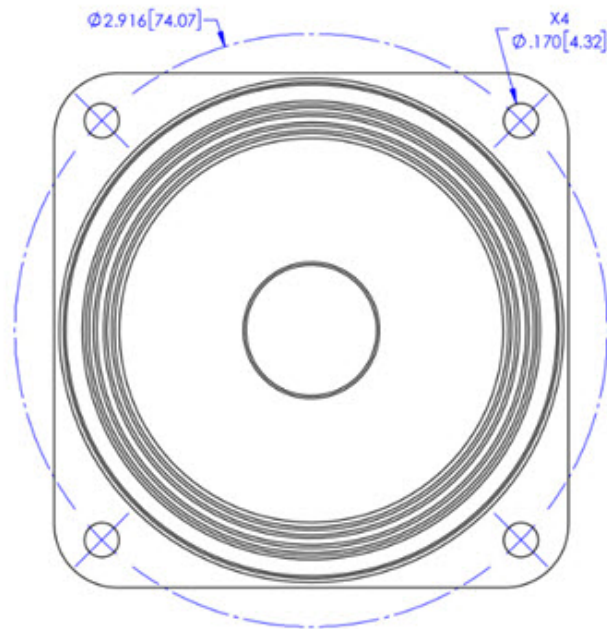
A specialized, all-weather replacement speaker for your voice applications! The RDC22WI-45 is an ideal, RoHS compliant speaker for communication systems in need of a 45 ohm driver. It sports an acrylic treated cloth cone that prevents moisture absorption from rain and high humidity.

- Voice range driver
- 2.5" (64 mm) basket diameter
- 4 Watts, 45 Ohms, 88 dB SPL
- 0.6" copper voice coil, aluminum former
- Ferrite magnet, stamped steel frame
- Acrylic treated cloth & surround



### Primary Specifications

<b>Size, Nominal (inch &amp; mm)</b>	2.5" (66 mm)
<b>Rated Impedance (<math>\Omega</math>)</b>	45
<b>Sensitivity (dB SPL) <sup>1</sup></b>	88
<b>Frequency Range (Hz)</b>	350 - 4, 500
<b>Resonant Frequency (Fs) (Hz)</b>	480



### More Specifications

<b>Application</b>	Voice Communications
<b>RoHS Compliant</b>	Yes
<b>Program Power (W)</b>	8

### Small Signal Parameters

<b>Nominal Impedance (Z) (<math>\Omega</math>)</b>	45
<b>Resonant Frequency (Fs) (Hz)</b>	480
<b>Total Q Factor (Qts)</b>	3.27

### Material Descriptions

<b>Basket Type</b>	Stamped steel
<b>Terminal Size (mm)</b>	4.7 x 0.5
<b>Voice Coil Diameter (mm)</b>	14.5288
<b>Voice Coil Wire Material</b>	Copper
<b>Voice Coil Former Material</b>	Aluminum
<b>Magnet Material</b>	Ferrite
<b>Magnet Weight (gm)</b>	68.04
<b>Cone Body Material</b>	Acrylic treated cloth
<b>Cone Surround Material</b>	Acrylic treated cloth
<b>Spider Material</b>	Cotton
<b>Dust Cap Material</b>	Felt
<b>Net Weight (kg)</b>	0.2

