

THIS IS A "BUILT TO ORDER" PRODUCT

**REQUEST A QUOTE**

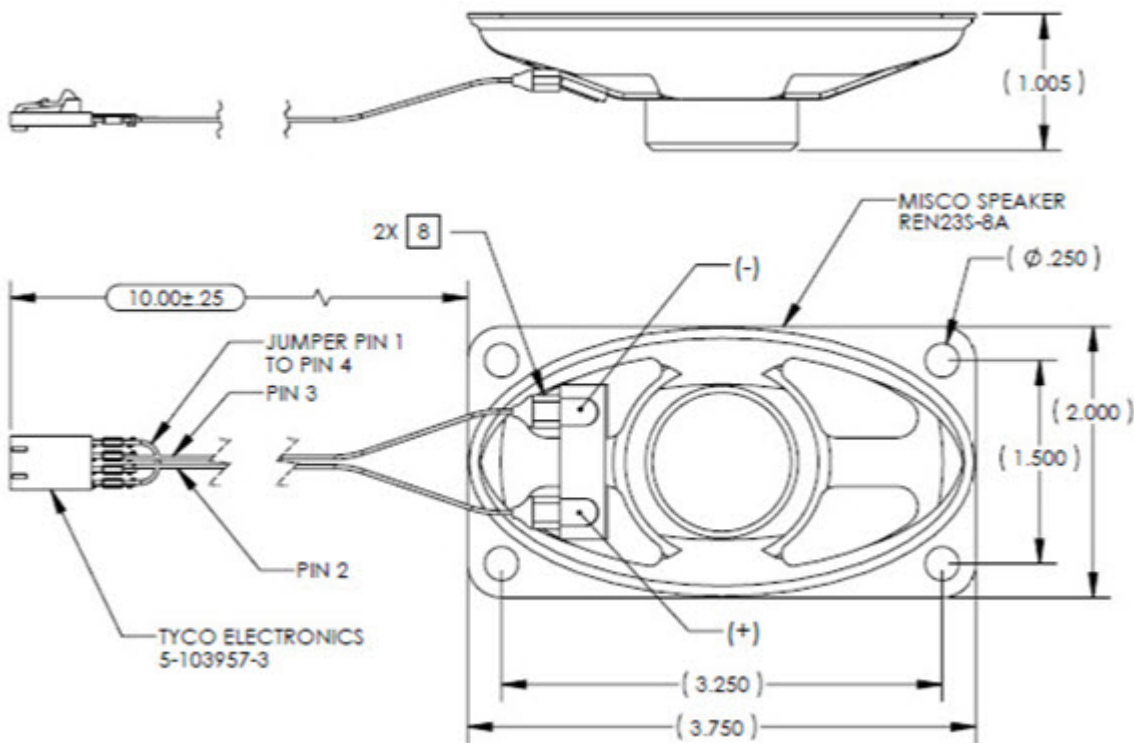
The REN23S-8A is an 8-ohm medical ventilator speaker ideal for signal/alarm applications. A neodymium magnet, a slim steel frame, and a 10" lead set allows easy-installation within restricted spacing, all while remaining sturdy and dependable to deliver reliable signals from your clinical devices.



- 2" x 3.5" (50 mm x 90 mm) diameter
- Voice communications speaker
- 8 ohms, 6 watts, 82 dB SPL
- 0.75" voice coil, 10" lead set
- Neodymium magnet, steel basket
- Paper cone & surround

### Primary Specifications

<b>Size, Nominal (inch &amp; mm)</b>	2" x 3.5" (51 mm x 89 mm)
<b>Rated Impedance (<math>\Omega</math>)</b>	8
<b>Sensitivity (dB SPL) <sup>1</sup></b>	82
<b>Frequency Range (Hz)</b>	300 - 10,000
<b>Resonant Frequency (Fs) (Hz)</b>	354



### More Specifications

<b>Application</b>	Indoor, Medical, Outdoor , Signal / Alarm Systems, Voice Communications
<b>RoHS Compliant</b>	Yes
<b>DC Resistance (Re) (<math>\Omega</math>)</b>	6.2
<b>Program Power (W)</b>	12

### Small Signal Parameters

<b>Nominal Impedance (Z) (<math>\Omega</math>)</b>	8
<b>DC Resistance (Re) (<math>\Omega</math>)</b>	6.2
<b>Resonant Frequency (Fs) (Hz)</b>	354
<b>Mechanical Q Factor (Qms)</b>	4.8
<b>Electrical Q Factor (Qes)</b>	2.2
<b>Total Q Factor (Qts)</b>	1.5

### Material Descriptions

<b>Basket Type</b>	Stamped steel
<b>Voice Coil Wire Material</b>	Copper
<b>Voice Coil Former Material</b>	Aluminum
<b>Magnet Material</b>	Neodymium
<b>Cone Body Material</b>	Paper
<b>Cone Surround Material</b>	Paper
<b>Dust Cap Material</b>	Paper
<b>Net Weight (kg)</b>	0.09

