

THIS IS A "BUILT TO ORDER" PRODUCT

**REQUEST A QUOTE**

For trucks, trains, boats, and planes, the 88104-T delivers powerful and efficient audio for two-way communications. This specialty horn speaker uses a weather and corrosion resistant design and high durability materials to remain dependable and understandable longer than other speakers. Choose this driver if you need specialized, high-quality, and reliable sound.

- 5.5" (140 mm) diameter
- Voice range horn speaker, 8 ohms
- 107 dB SPL @ 1 Watt, 1 Meter
- 40 watts, 1 Octave at 2 kHz, averaged; 123 dB max SPL
- ABS plastic horn bell & assembly
- Phenolic diaphragm, ferrite magnet
- Black anodized aluminum heat sink
- Stainless steel screws
- 2 conductor, 18 AWG stranded, inner & outer PVC insulations

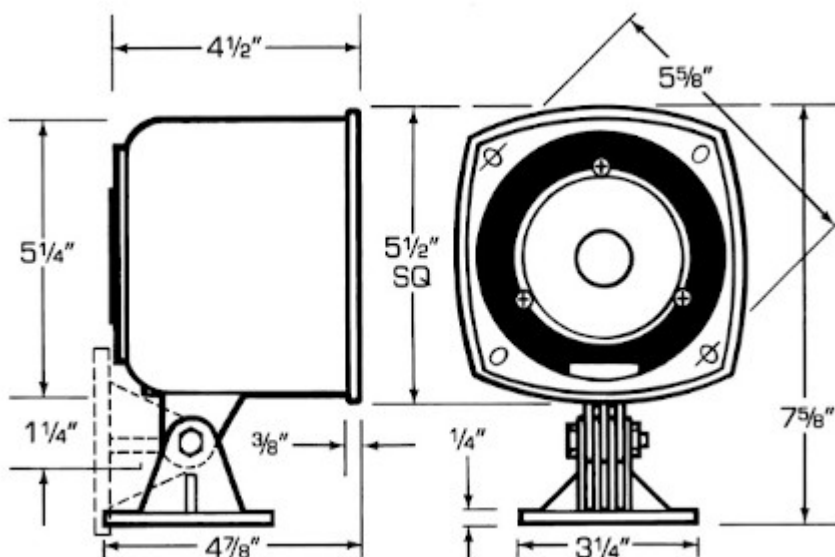


[ALSO AVAILABLE IN BLACK](#)

\*Bracket in drawing optional, not included in this assembly

### Primary Specifications

<b>Size, Nominal (inch &amp; mm)</b>	5.5" (140 mm)
<b>Rated Impedance (<math>\Omega</math>)</b>	8
<b>Sensitivity (dB SPL) <sup>1</sup></b>	107
<b>Frequency Range (Hz)</b>	500 - 7,000
<b>Resonant Frequency (Fs) (Hz)</b>	341



### More Specifications

<b>Application</b>	Auto / Motorcycle, Outdoor , Signal / Alarm Systems, Transit, Voice Communications
<b>Program Power (W)</b>	80

### Small Signal Parameters

<b>Nominal Impedance (Z) (<math>\Omega</math>)</b>	8
<b>Resonant Frequency (Fs) (Hz)</b>	341
<b>Total Q Factor (Qts)</b>	1.5

### Material Descriptions

<b>Magnet Material</b>	Ferrite
<b>Cone Body Material</b>	Phenolic treated cloth
<b>Net Weight (kg)</b>	1.14

