

THIS IS A "BUILT TO ORDER" PRODUCT

REQUEST A QUOTE

For trucks, trains, boats, and planes, the 88104-T delivers powerful and efficient audio for two-way communications. This specialty horn speaker uses a weather and corrosion resistant design and high durability materials to remain dependable and understandable longer than other speakers. Choose this driver if you need specialized, high-quality, and reliable sound.

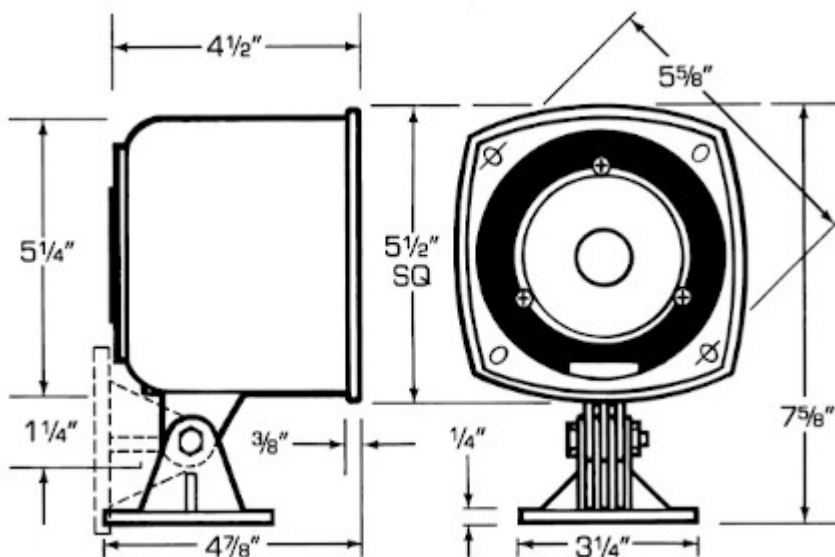
- 5.5" (140 mm) diameter
- Voice range horn speaker, 8 ohms
- 107 dB SPL @ 1 Watt, 1 Meter
- 40 watts, 1 Octave at 2 kHz, averaged; 123 dB max SPL
- ABS plastic horn bell & assembly
- Phenolic diaphragm, ferrite magnet
- Black anodized aluminum heat sink
- Stainless steel screws
- 2 conductor, 18 AWG stranded, inner & outer PVC insulations



[ALSO AVAILABLE IN TAN](#)

Primary Specifications

Size, Nominal (inch & mm)	5.5" (140 mm)
Rated Impedance (Ω)	8
Sensitivity (dB SPL) ¹	107
Frequency Range (Hz)	500 - 7,000
Resonant Frequency (Fs) (Hz)	341



More Specifications

Application	Auto / Motorcycle, Outdoor , Signal / Alarm Systems, Transit, Voice Communications
Program Power (W)	80

Small Signal Parameters

Nominal Impedance (Z) (Ω)	8
Resonant Frequency (Fs) (Hz)	341
Total Q Factor (Qts)	1.5

Material Descriptions

Magnet Material	Ferrite
Cone Body Material	Phenolic treated cloth
Net Weight (kg)	1.14

