

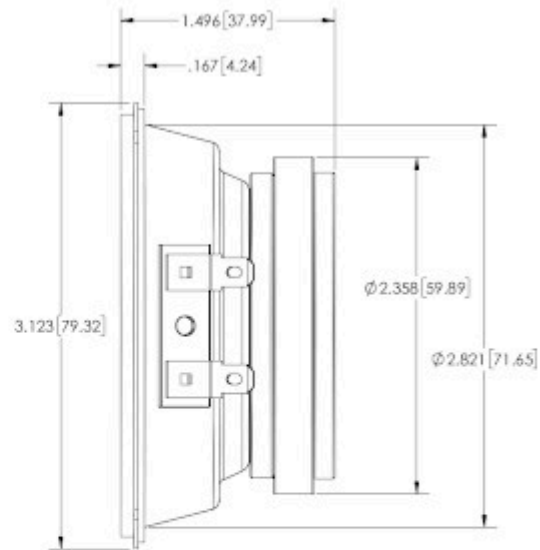
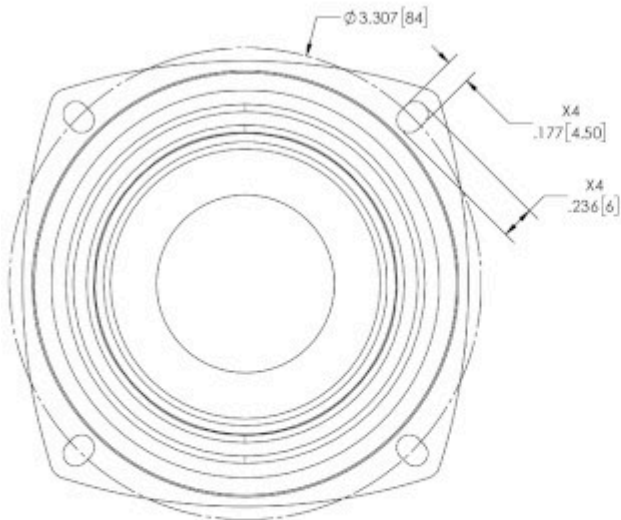
A compact, high-quality audio solution that provides reliability, power, and easy installation. This single full range speaker with a frequency response from 100 - 20,000 Hz. Application uses include medical ultrasound devices, gaming cabinets, kiosks, line arrays, and voice communication systems.

- 3" (77 mm) diameter
- 10 watt, 8 ohm, 84 dB SPL
- "0.75 aluminum former
- Neo-rite magnet, steel basket
- Paper cone, rubber surround



### Primary Specifications

<b>Size, Nominal (inch &amp; mm)</b>	3" (77 mm)
<b>Rated Impedance (<math>\Omega</math>)</b>	8
<b>Sensitivity (dB SPL) <sup>1</sup></b>	84
<b>Frequency Range (Hz)</b>	100 - 20, 000
<b>Resonant Frequency (Fs) (Hz)</b>	100



### More Specifications

<b>Application</b>	Arcade Gaming, Casino Gaming, Indoor, Kiosk, Medical, Voice Communications
<b>RoHS Compliant</b>	No
<b>DC Resistance (Re) (<math>\Omega</math>)</b>	6.2
<b>Program Power (W)</b>	20

### Small Signal Parameters

<b>Nominal Impedance (Z) (<math>\Omega</math>)</b>	8
<b>DC Resistance (Re) (<math>\Omega</math>)</b>	6.2
<b>Resonant Frequency (Fs) (Hz)</b>	100
<b>Mechanical Q Factor (Qms)</b>	2.0
<b>Electrical Q Factor (Qes)</b>	0.79
<b>Total Q Factor (Qts)</b>	0.55

### Material Descriptions

<b>Basket Type</b>	Stamped steel
<b>Voice Coil Former Material</b>	Aluminum
<b>Magnet Material</b>	Neo-rite
<b>Magnet Weight (gm)</b>	96.67
<b>Cone Body Material</b>	Paper
<b>Cone Surround Material</b>	Rubber
<b>Net Weight (kg)</b>	0.29

