

The DC3WP is now available for customers looking for individual packaging. This is a durable, temperature resistant driver made for outdoor intercoms and other voice communication applications. A large ferrite magnet creates high sensitivity output, and teardrop terminals allow easy soldering and hook-up to your wire harness. A complete waterproof treatment also ensures it outlasts the elements in a variety of outdoor environments.

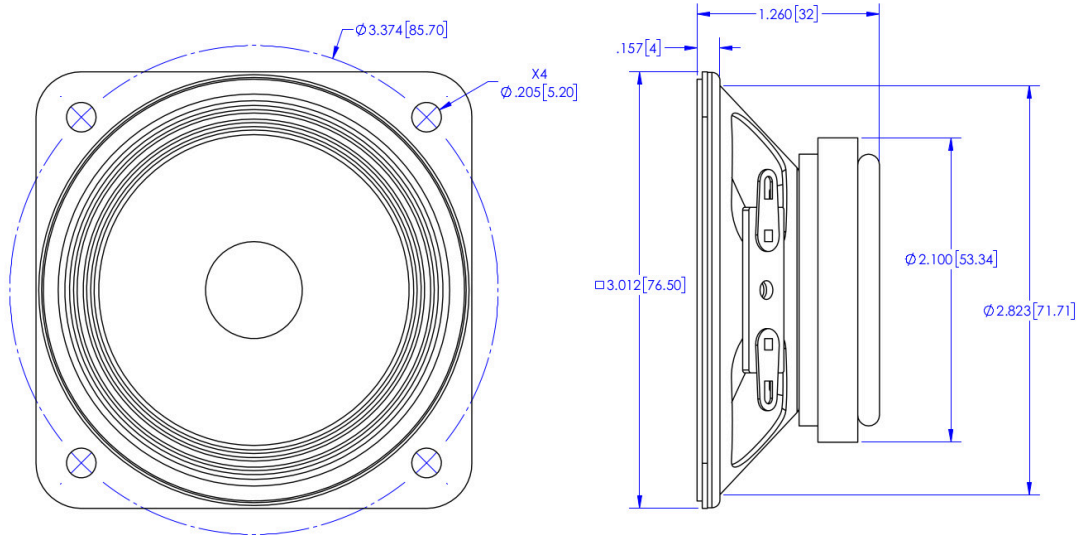
- Voice Range Speaker
- 3" (77 mm) Diameter
- 6 Watts, 8 Ohms
- -67°F (-55°C) to +185°F (+85°C)
- Acrylic Treated Cloth Cone, Waterproof
- 87 dB SPL

Purchasing in bulk? [CLICK HERE](#) to request a quote.



Primary Specifications

Size, Nominal (inch & mm)	3" (77 mm)
Rated Impedance (Ω)	8
Sensitivity (dB SPL) ¹	87
Frequency Range (Hz)	250 - 7,000
Resonant Frequency (Fs) (Hz)	341



OAKTRON
by **MISCO**

P/N: DC3WP

More Specifications

Application	Voice Communications
RoHS Compliant	No
Program Power (W)	12

Small Signal Parameters

Nominal Impedance (Z) (Ω)	8
Resonant Frequency (Fs) (Hz)	341
Total Q Factor (Qts)	2.24

Material Descriptions

Basket Type	Stamped steel
Terminal Size (mm)	4.7 x 0.5
Voice Coil Diameter (mm)	14.53
Voice Coil Wire Material	Copper
Voice Coil Former Material	Aluminum
Magnet Material	Ferrite
Magnet Weight (gm)	68.04
Cone Body Material	Acrylic treated cloth
Cone Surround Material	Acrylic treated cloth
Spider Material	Cotton
Dust Cap Material	Felt
Net Weight (kg)	0.22

