

The DC4WI is now available for customers looking for individual packaging. This speaker is designed for outdoor / indoor voice communications in intercom or drive-thru applications. The double-treated acrylic treated cloth cone provides additional years of projected life (depending on environment).

- Acrylic-treated cone and edge
- Rugged steel basket with zinc plating
- 8 watts program power
- Polyimide film voice coil form
- High Energy (HE) ferrite magnet
- Direct lead wires to the terminal to provide greater environmental protection for internal speaker wiring.

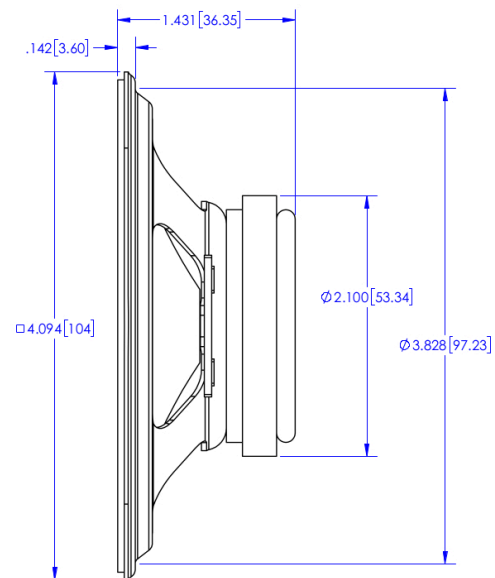
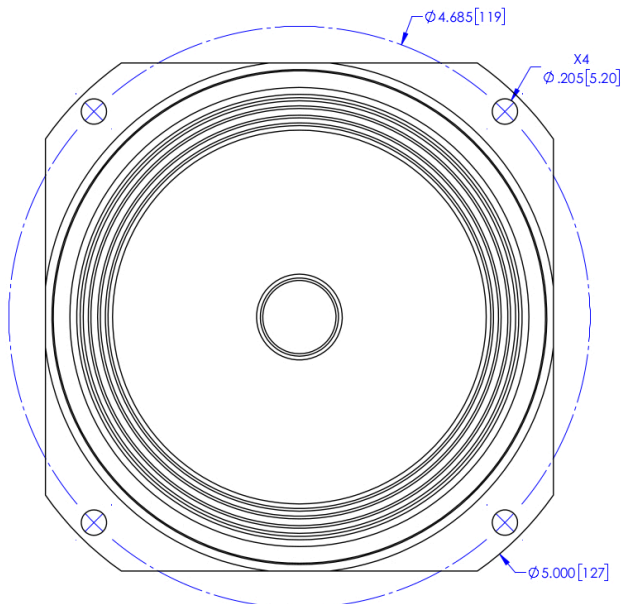
It features a four-hole mount design for ease of front or rear flush mounting. This speaker is not only ideal for intercom, it would be a great replacement speaker (standard hole placement) in a wide range of devices.

Purchasing in bulk? [CLICK HERE](#) to request a quote.



Primary Specifications

Size, Nominal (inch & mm)	4" (100 mm)
Rated Impedance (Ω)	8
Sensitivity (dB SPL) ¹	91
Frequency Range (Hz)	180 - 6,000
Resonant Frequency (Fs) (Hz)	408



OAKTRON
by MISCO

P/N: DC4WI

More Specifications

Application	Commercial, Kiosk, Military, Outdoor , Transit, Voice Communications
RoHS Compliant	No
DC Resistance (Re) (Ω)	6.3
Program Power (W)	8

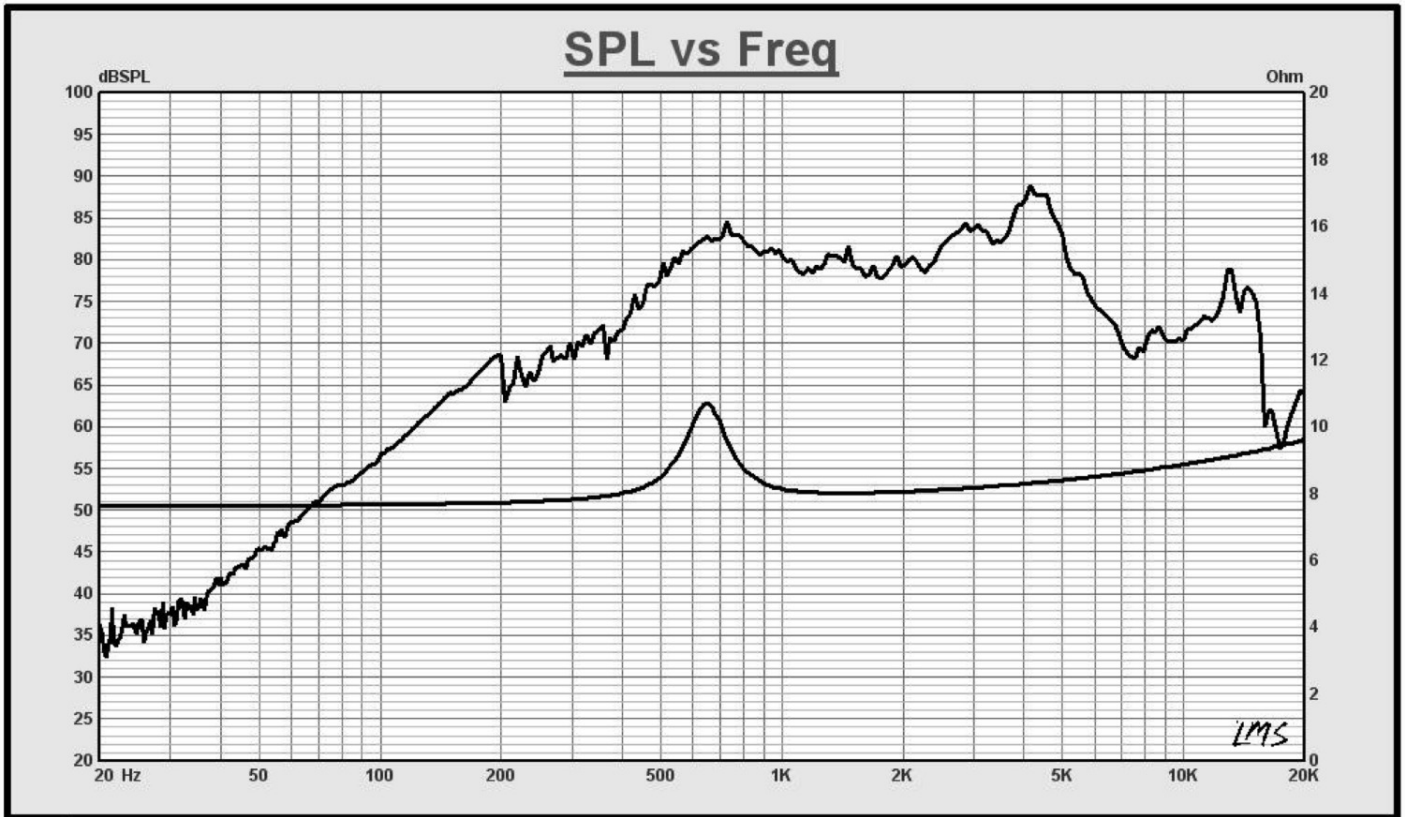
Small Signal Parameters

Nominal Impedance (Z) (Ω)	8
DC Resistance (Re) (Ω)	6.3
Voice Coil Inductance (Le) (mH)	0
Resonant Frequency (Fs) (Hz)	408
Mechanical Q Factor (Qms)	13.3
Electrical Q Factor (Qes)	7.5
Total Q Factor (Qts)	2.68

Material Descriptions

Basket Type	Zinc Plated stamped Steel
Terminal Size (mm)	4.7 mm x 0.5 mm
Voice Coil Diameter (mm)	19.4
Voice Coil Wire Material	Copper
Voice Coil Former Material	Aluminum
Magnet Material	Ferrite
Magnet Weight (gm)	68
Cone Body Material	Treated Acrylic cloth
Cone Surround Material	Treated Acrylic cloth
Spider Material	Conex
Dust Cap Material	Water resistant felt
Net Weight (kg)	0.251





Map	— 17: 40RN08M-1		
Notes	40RN08M-1 Revc=7.600 Ohm Fo=649.488 Hz		
	Qms= 3.649 Qes= 9.496 Qts= 2.636		
	Kfm=906.909u Ohm Erm=0.652		
	Kxm=5.797m H. Exm=0.463		
LMS	4.6.0.371 May/29/2007	Person: Company:	Project: File: 40RN08M-1.lib
			Aug 4, 2010 Wed 1:19 pm
			LINEAR X S Y S T E M S