

THIS IS A "BUILT TO ORDER" PRODUCT.

**REQUEST A QUOTE**

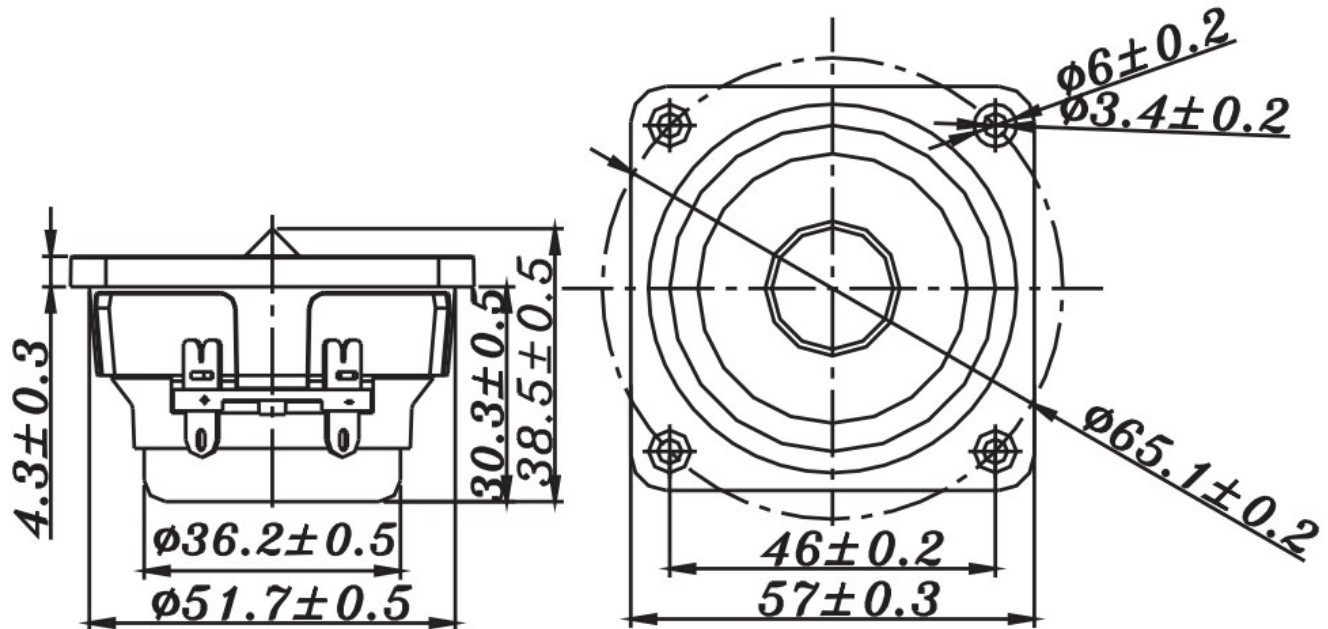
"For a compact, high precision speaker solution in your next project, choose the 70059. Fit this 2" driver into multiple roles: either as a full range, a mid-tweeter, or as an extended-range midbass. The 70059 uses an aluminum phase plug to reduce frequency-phase cancellations and power compression, while also aiding internal cooling. Ideal for automotive, A/V, media devices, and hi-fi applications.

- Full range, mid-tweeter, extended mid-bass speaker
- 2.25" (57 mm) ABS plastic basket
- 8 watts, 4 ohms, 83 dB SPL
- Aluminum phase plug
- Neodymium magnet, polypropylene cone



### Primary Specifications

Size, Nominal (inch & mm)	2.25" (57 mm)
Rated Impedance ( $\Omega$ )	4
Sensitivity (dB SPL) <sup>1</sup>	83
Frequency Range (Hz)	200 - 20,000
Resonant Frequency (Fs) (Hz)	133



## More Specifications

<b>Application</b>	Auto / Motorcycle, Commercial, High-End Audio and Home Theater, Home Audio
<b>RoHS Compliant</b>	Yes
<b>DC Resistance (Re) (<math>\Omega</math>)</b>	4
<b>Program Power (W)</b>	16

## Small Signal Parameters

<b>Nominal Impedance (Z) (<math>\Omega</math>)</b>	4
<b>DC Resistance (Re) (<math>\Omega</math>)</b>	4
<b>Resonant Frequency (Fs) (Hz)</b>	133
<b>Mechanical Q Factor (Qms)</b>	5.4
<b>Electrical Q Factor (Qes)</b>	0.4
<b>Total Q Factor (Qts)</b>	0.3

## Material Descriptions

<b>Basket Type</b>	ABS Plastic
<b>Terminal Size (mm)</b>	2.8 x 0.5
<b>Magnet Material</b>	Neodymium
<b>Cone Body Material</b>	Polypropylene
<b>Cone Surround Material</b>	Natural Rubber
<b>Dust Cap Material</b>	Aluminum

