

This silk, soft dome tweeter is perfect for anyone looking for smooth high end frequencies in a rugged frame. The 93023 uses a custom-built, thin silk membrane to construct a flat frequency response and provide a clear, consistent performance. It's wide bandwidth and high sensitivity make this tweeter ideal for multi-way systems.

- Tweeter
- 1" (25 mm) silk dome, 4" (100 mm) face plate
- 10 watts, 8 ohms, 90 dB SPL
- 1" aluminum voice coil, polyimide former
- Neodymium magnet, cast aluminum basket
- Silk dome cone, silk surround

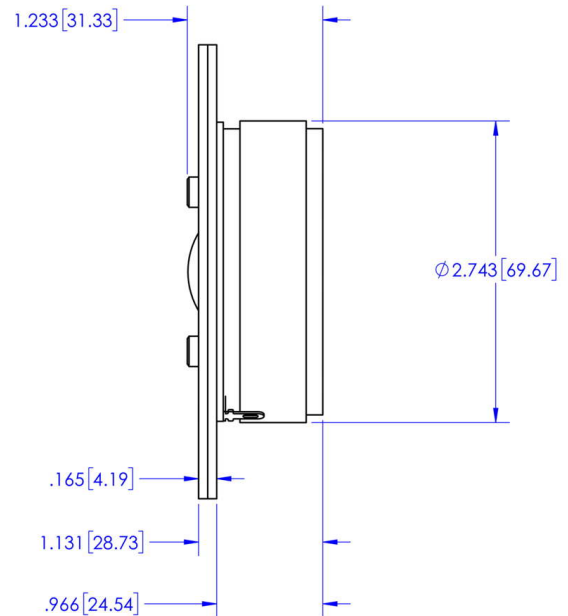
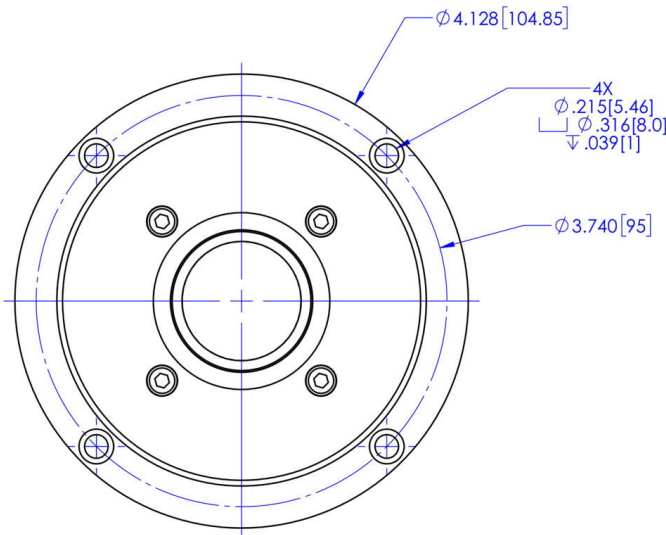
Note: Protect the tweeters that are installed in your audio system. Lower frequencies are not desirable signals to send to a tweeter. They can damage or destroy the tweeter diaphragm. Protection is important. Use a simple passive crossover (First Order), by using a (proper value) capacitor to stop low frequencies from making it to the tweeter. Refine your audio system by adding more complex crossovers with inductors, capacitors, and/or resistors. You may also want to add an active crossover system.

MISCO engineers test and analyze the performance of these speakers using the world's most sophisticated loudspeaker measurement systems including the Klippel Analyzer and the Klippel QC, which confirm the final design.



Primary Specifications

Size, Nominal (inch & mm)	1" (25 mm)
Rated Impedance (Ω)	8
Continuous Power (W)	10
Sensitivity (dB SPL) ¹	90
Frequency Range (Hz)	1, 200 - 20, 000
Resonant Frequency (Fs) (Hz)	1105



More Specifications

Application	High-End Audio and Home Theater, Home Audio, Indoor
RoHS Compliant	Yes
DC Resistance (Re) (Ω)	7.2
Program Power (W)	20
Continuous Power (W)	10

Small Signal Parameters

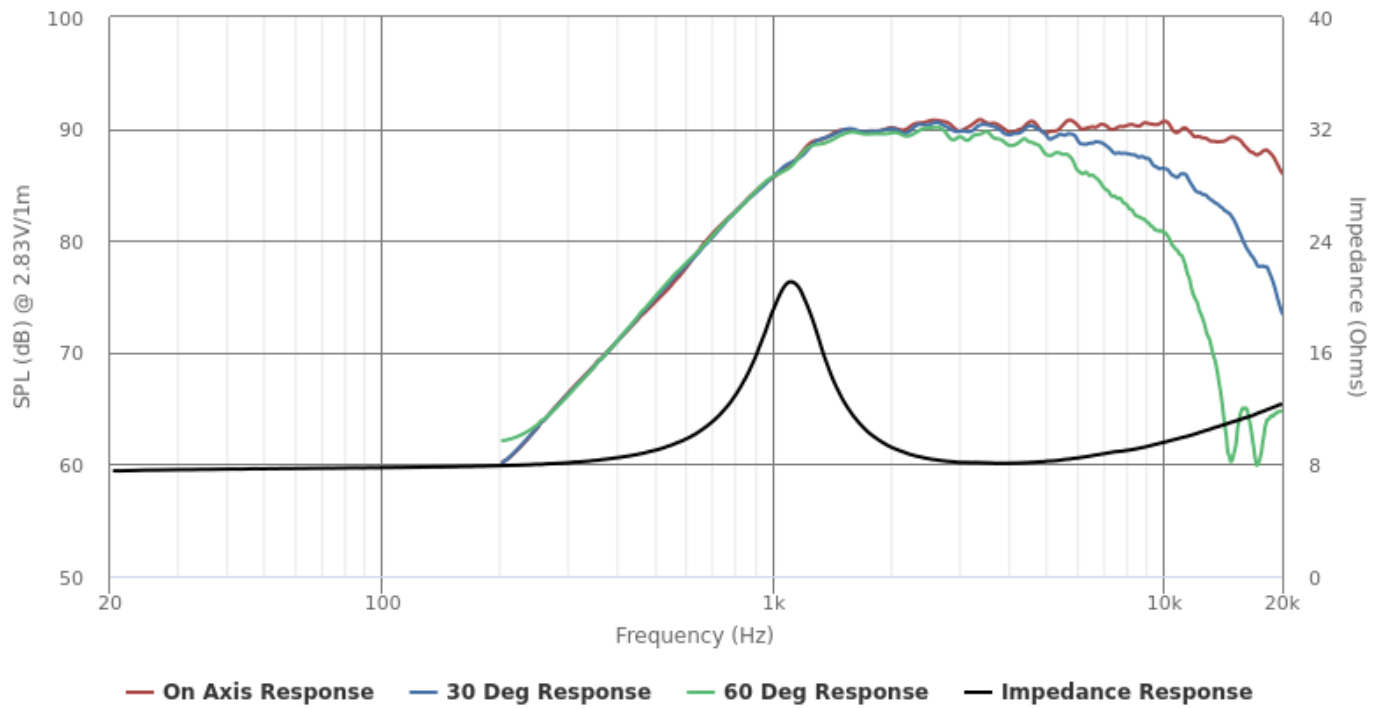
Nominal Impedance (Z) (Ω)	8
DC Resistance (Re) (Ω)	7.2
Voice Coil Inductance (Le) (mH)	0.06
Resonant Frequency (Fs) (Hz)	1105
Mechanical Q Factor (Qms)	2.41
Electrical Q Factor (Qes)	1.26
Total Q Factor (Qts)	0.83
Moving Mass (Mms) (gm)	0.2
Suspension Compliance (Cms) (mm/N)	0.09
Mechanical Resistance (Rms) (kg/s)	0.67
Surface Area of Diaphragm (Sd) (cm²)	6.6
Compliance Equivalent Volume (Vas) (L)	0.01
Motor Force Factor (BL) (T•M)	3.0
Efficiency (η_0) (%)	0.57
Efficiency Bandwidth Product (EBP) (Fs/Qes)	875.4

Material Descriptions

Basket Type	Cast aluminum
Terminal Size (mm)	2.8 x 0.5 mm
Voice Coil Diameter (mm)	25
Voice Coil Wire Material	Copper clad aluminum
Voice Coil Former Material	Polyimide film
Magnet Material	Neodymium
Magnet Weight (gm)	252
Cone Body Material	Silk
Cone Surround Material	Silk
Spider Material	Silk
Net Weight (kg)	0.56



Frequency & Impedance Response



Highcharts.com

