

THIS IS A "BUILT TO ORDER" PRODUCT

REQUEST A QUOTE

This low-profile powerhouse speaker is an excellent choice for tight space applications requiring high level voice audio. It features a lightweight cone with a life-extending half-roll treated cloth surround, and a high-energy neodymium magnet.

- Alarm & voice range speaker
- 1.2 x 2.8" (30 x 70 mm) basket diameter
- 5 watts, 8 ohms, 81 dB SPL
- Neodymium magnet, stamped steel basket
- Engineered paper cone, treated cloth surround



Primary Specifications

Size, Nominal (inch & mm)	1" Oval (25 mm)
Rated Impedance (Ω)	8
Sensitivity (dB SPL) ¹	81
Frequency Range (Hz)	480 - 20,000
Resonant Frequency (Fs) (Hz)	480

More Specifications

Application	Casino Gaming, Drive-Thru / Kiosk, Signal / Alarm Systems, Voice Communications
RoHS Compliant	Yes
DC Resistance (Re) (Ω)	7.5
Program Power (W)	10

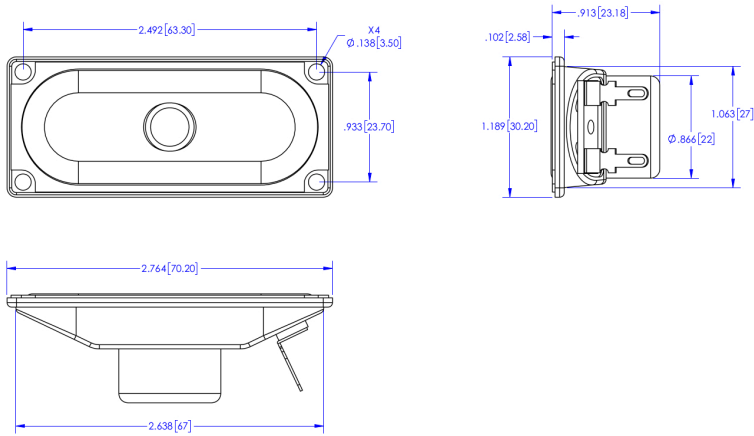
Small Signal Parameters

Nominal Impedance (Z) (Ω)	8
DC Resistance (Re) (Ω)	7.5
Voice Coil Inductance (Le) (mH)	0
Resonant Frequency (Fs) (Hz)	480
Mechanical Q Factor (Qms)	3.51
Electrical Q Factor (Qes)	6.74
Total Q Factor (Qts)	2.31

Material Descriptions

Basket Type	Stamped steel with zinc plating
Terminal Size (mm)	2.8 X 0.5 mm
Voice Coil Diameter (mm)	15.2 (0.6")
Voice Coil Wire Material	Copper
Voice Coil Former Material	Paper
Magnet Material	Neodymium
Magnet Weight (gm)	3.7
Cone Body Material	Engineered paper
Cone Surround Material	Treated cloth
Spider Material	Cloth
Dust Cap Material	Engineered paper





OAKTRON by MISCO P/N: 70053