

This 8" woofer provides bass you can feel. It is an excellent choice for two-way audio systems or ones requiring more than one driver. It features an engineered black carbon filled polypropylene cone with a half-roll black molded natural rubber surround. A carefully designed flat spider assures linear voice coil travel in both directions. The dust cap is a light weight treated cloth which allows for extended frequency response to allow for higher cross-over frequencies if desired. A decorative rubber trim ring around the frame provides sealing when mounted in the enclosure. It may also be removed to match the final product cosmetics.

- Woofer
- 8" (203 mm) basket diameter
- 75 watts, 4 ohms, 92 dB SPL
- 1.5" copper voice coil, Kapton former
- Ferrite magnet, stamped-steel frame
- Polypropylene cone, NBR rubber surround

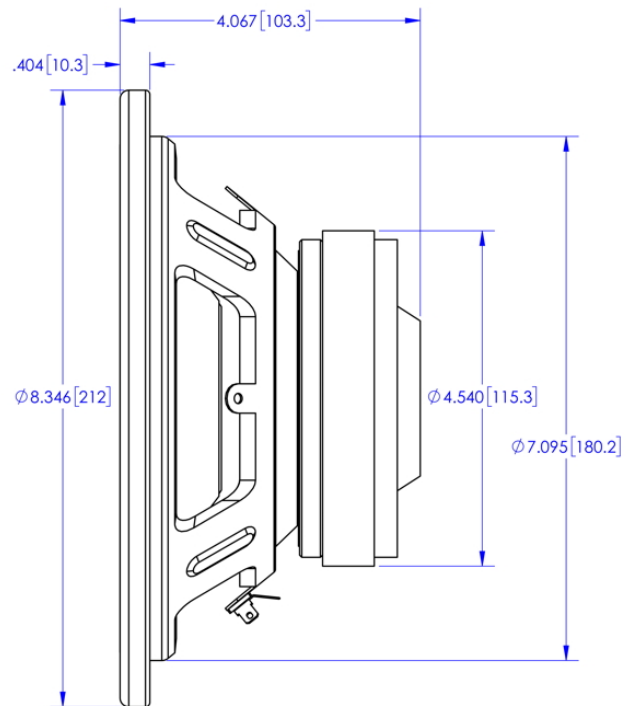
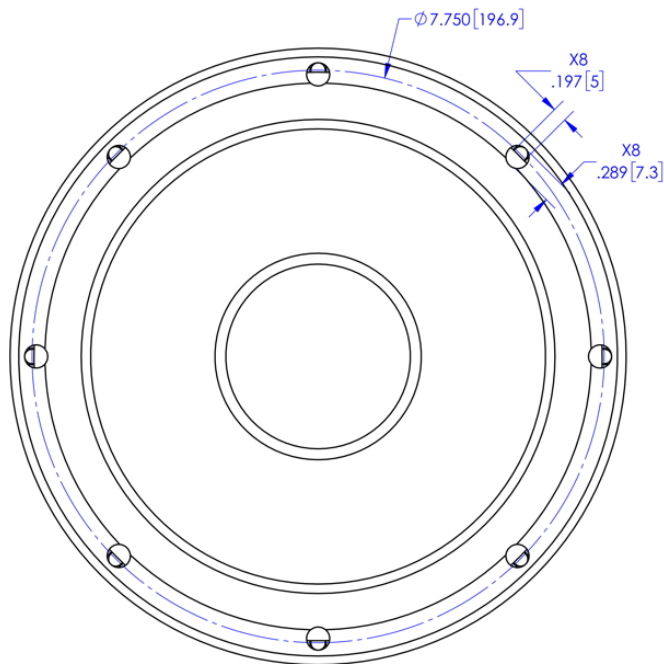
MISCO engineers test and analyze the performance of these speakers using the world's most sophisticated loudspeaker measurement systems including the Klippel Analyzer and the Klippel QC, which are used to validate final design. Oaktron by MISCO is the premium line of high performance, ready-to-ship transducers for a wide variety of applications including high fidelity, musical instrument, automotive and many more. From elegantly simple to highly specialized designs for unique and demanding applications, there is an Oaktron loudspeaker perfectly suited for your needs.

Pair this woofer with one of our [MISCO Amplifiers](#).



Primary Specifications

Size, Nominal (inch & mm)	8" (203 mm)
Rated Impedance (Ω)	4
Continuous Power (W)	75
Sensitivity (dB SPL) ¹	92
Frequency Range (Hz)	35 - 4,000
Resonant Frequency (Fs) (Hz)	35



More Specifications

Application	High-End Audio and Home Theater, Home Audio
RoHS Compliant	Yes
DC Resistance (Re) (Ω)	4.0
Program Power (W)	150
Continuous Power (W)	75

Small Signal Parameters

Nominal Impedance (Z) (Ω)	4
DC Resistance (Re) (Ω)	4.0
Voice Coil Inductance (Le) (mH)	0.57
Resonant Frequency (Fs) (Hz)	35
Mechanical Q Factor (Qms)	5.87
Electrical Q Factor (Qes)	0.26
Total Q Factor (Qts)	0.25
Moving Mass (Mms) (gm)	25.7
Suspension Compliance (Cms) (mm/N)	0.79
Mechanical Resistance (Rms) (kg/s)	0.97
Surface Area of Diaphragm (Sd) (cm²)	232.4
Compliance Equivalent Volume (Vas) (L)	60.56
Maximum Linear Excursion (Xmax) (mm)	5.4
Coil Winding Height (mm)	18.8
Magnetic Gap Height (mm)	7.9
Motor Force Factor (BL) (T•M)	9.3
Efficiency (η_0) (%)	0.98
Efficiency Bandwidth Product (EBP) (Fs/Qes)	134.7

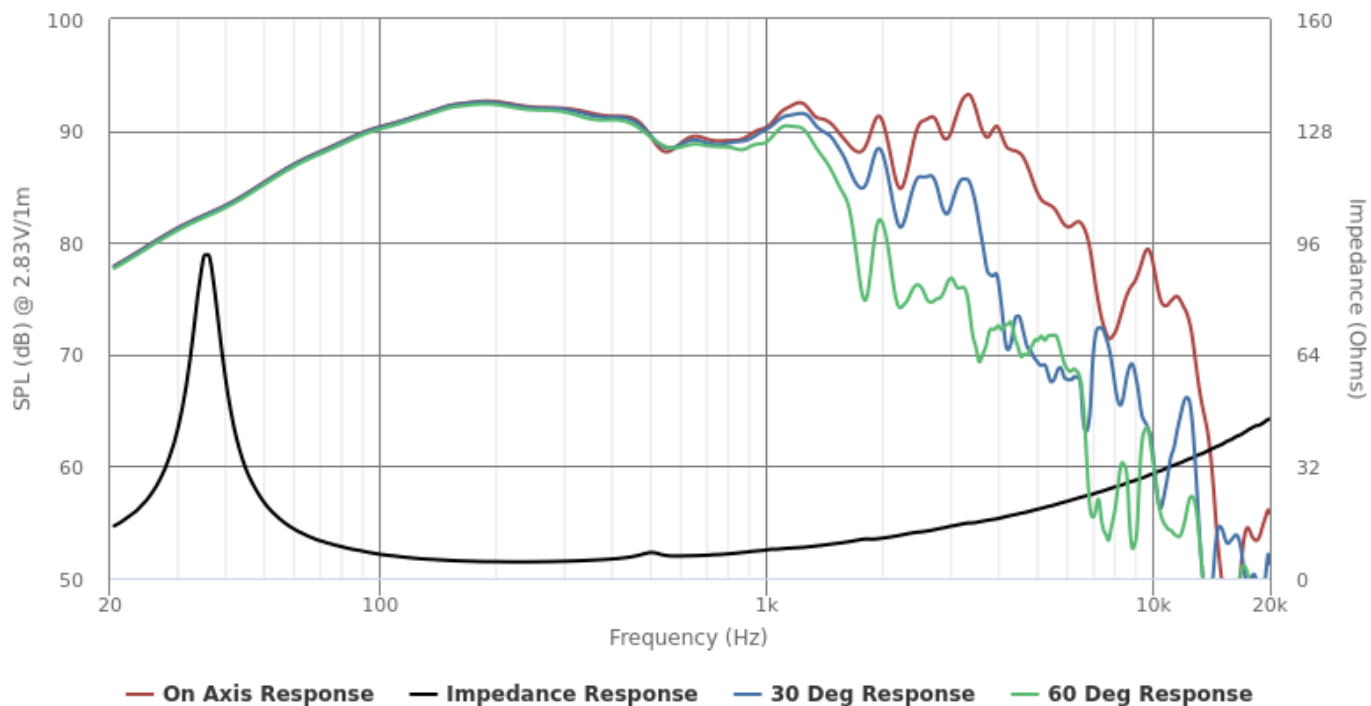
Material Descriptions

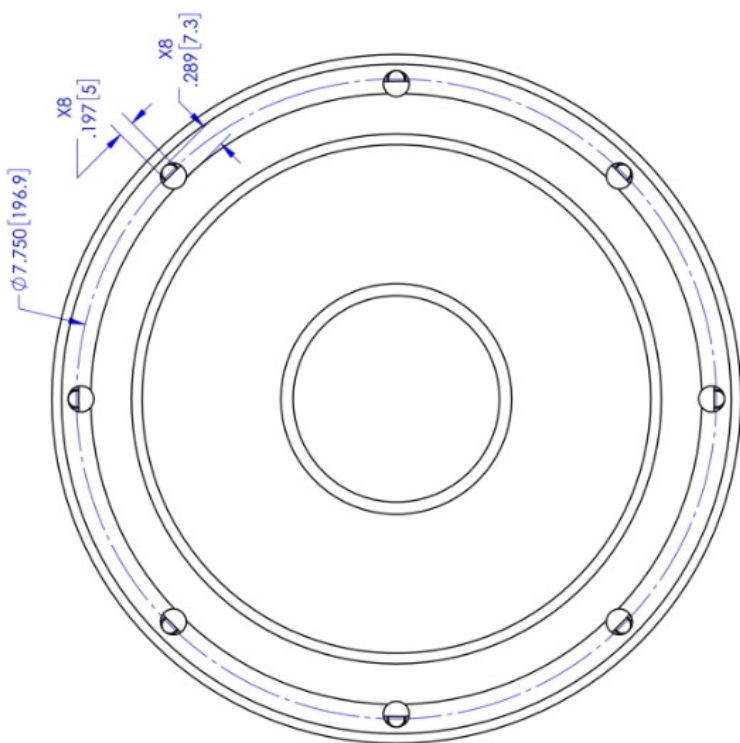
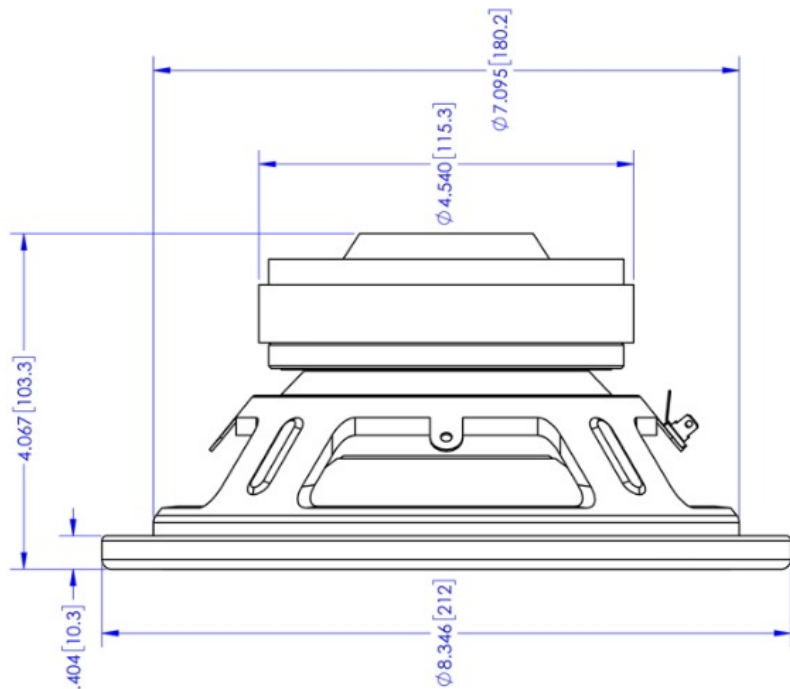
Basket Type	Heavy duty stamped steel basket, powder coat black finish
Terminal Size (mm)	5.2 x 0.5 mm
Voice Coil Diameter (mm)	38.7
Voice Coil Wire Material	Copper
Voice Coil Former Material	Polyimide film
Magnet Material	Ferrite
Magnet Weight (gm)	795
Cone Body Material	Carbon filled polypropylene

Cone Surround Material	NBR rubber
Spider Material	Flat formed cloth
Dust Cap Material	Treated cloth
Net Weight (kg)	2.7



Frequency & Impedance Response





MODEL: 203-WF04-03 P/N: 93044

OAKTRON
by MISCO