

THIS IS A "BUILT TO ORDER" PRODUCT

**REQUEST A QUOTE**

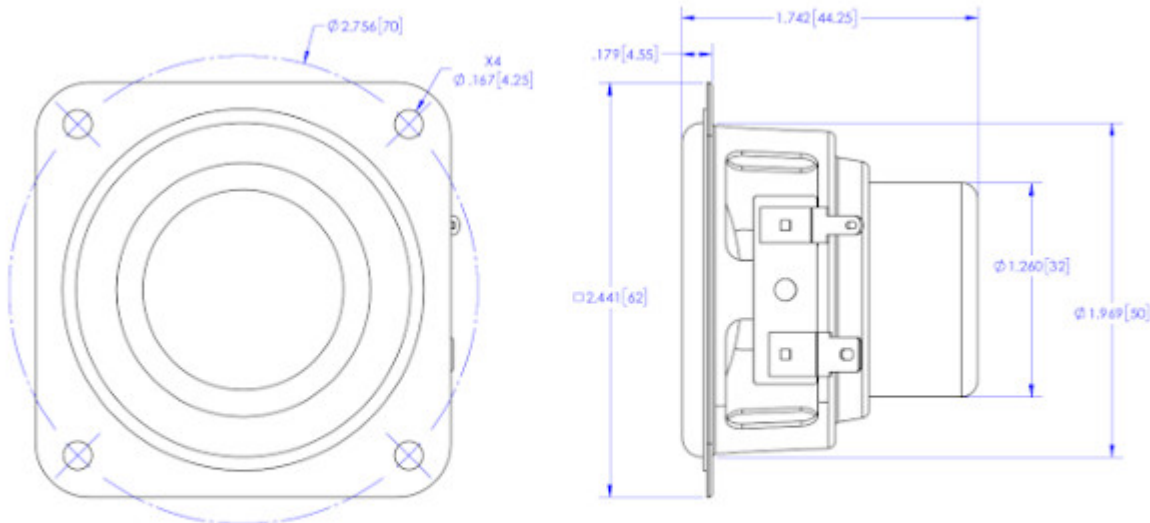
This wide-range speaker provides high output and sensitivity from a small footprint. A woven kevlar cone with treated half-roll cloth edge provides extended frequency response and durability in a wide variety of applications. It is also an excellent choice for applications requiring extended frequency range such as gaming audio, Ultra-Sound audio, and broad range music or voice. This front or rear mountable wide range speaker is a great choice to pair with a sub-woofer and cross-over at 200 Hz. It also a great replacement or upgrade driver.

- Wide Range Speaker
- 2.25" (57 mm) basket diameter
- 10 watts, 8 ohms, 80 dB SPL
- 0.8" aluminum voice coil, Kapton former
- Dual neodymium magnet, stamped steel basket
- Kevlar fiber cone, cloth surround



### Primary Specifications

<b>Size, Nominal (inch &amp; mm)</b>	2"
<b>Rated Impedance (<math>\Omega</math>)</b>	8
<b>Sensitivity (dB SPL) <sup>1</sup></b>	80
<b>Frequency Range (Hz)</b>	140 - 18, 000
<b>Resonant Frequency (Fs) (Hz)</b>	154



**OAKTRON**  
by MISCO

P/N: 57SN08-2

### More Specifications

<b>Application</b>	Aerospace, Arcade Gaming, Casino Gaming, Home Audio, Drive-Thru / Kiosk, Medical, Musical Instruments, Voice Communications
<b>RoHS Compliant</b>	Yes
<b>DC Resistance (Re) (Ω)</b>	7.2
<b>Program Power (W)</b>	20

### Small Signal Parameters

<b>Nominal Impedance (Z) (Ω)</b>	8
<b>DC Resistance (Re) (Ω)</b>	7.2
<b>Voice Coil Inductance (Le) (mH)</b>	0.16
<b>Resonant Frequency (Fs) (Hz)</b>	154
<b>Mechanical Q Factor (Qms)</b>	2.35
<b>Electrical Q Factor (Qes)</b>	0.77
<b>Total Q Factor (Qts)</b>	0.57

### Material Descriptions

<b>Basket Type</b>	Stamped Steel with black powder coat painting.
<b>Terminal Size (mm)</b>	5.2 x 0.5 / 2.8 x 0.5
<b>Voice Coil Diameter (mm)</b>	20.3
<b>Voice Coil Wire Material</b>	Aluminum
<b>Voice Coil Former Material</b>	Kapton
<b>Magnet Material</b>	Dual neodymium magnet
<b>Magnet Weight (gm)</b>	2 x 17
<b>Cone Body Material</b>	Woven kevlar fiber
<b>Cone Surround Material</b>	Treated cloth surround
<b>Spider Material</b>	Cotton
<b>Dust Cap Material</b>	Engineered paper
<b>Net Weight (kg)</b>	0.13 kg



