

THIS IS A "BUILT TO ORDER" PRODUCT

REQUEST A QUOTE

Designed for high output and high sensitivity, this outdoor / indoor voice communication and paging speaker is ideal for outdoor voice, paging, or background music. It is often used in mass transit platforms for paging. The acrylic-treated cloth cone and dust cap provide additional years of projected life (depending on environment).

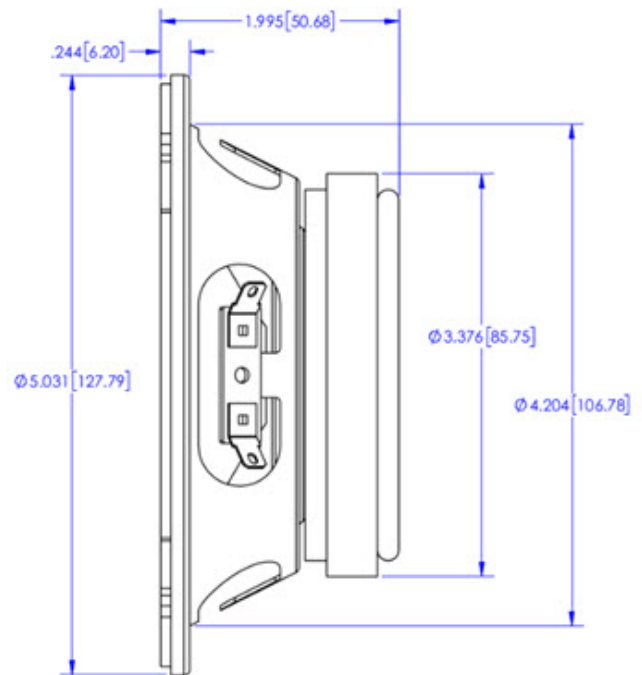
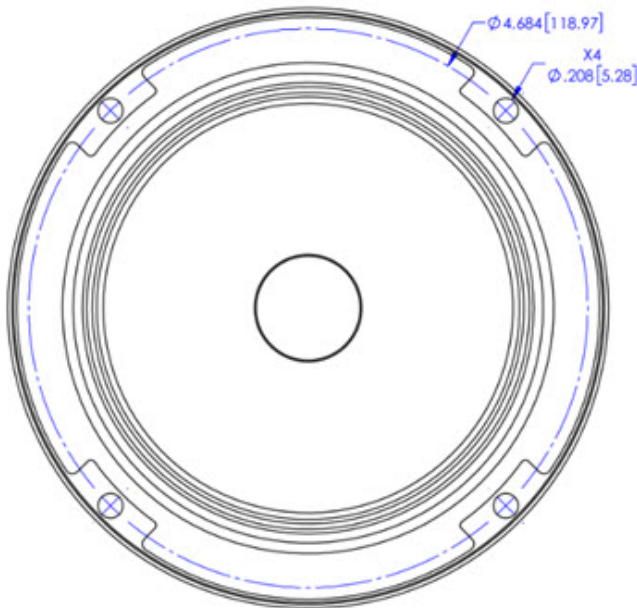
- Acrylic-treated cone and edge compliance
- Steel basket construction
- 30 watts program power
- Aluminum voice coil form
- High Energy (HE) ferrite magnet
- High Speed cone with Acrylic Treated cloth edge.

It features a four-hole mount design for ease of front or rear flush mounting.



Primary Specifications

Size, Nominal (inch & mm)	5"
Rated Impedance (Ω)	8
Sensitivity (dB SPL) ¹	95
Frequency Range (Hz)	120 - 8,000
Resonant Frequency (Fs) (Hz)	200



More Specifications

Application	Commercial, Indoor, Outdoor , Signal / Alarm Systems, Transit, Voice Communications
RoHS Compliant	No
DC Resistance (Re) (Ω)	6.0
Program Power (W)	30

Small Signal Parameters

Nominal Impedance (Z) (Ω)	8
DC Resistance (Re) (Ω)	6.0
Voice Coil Inductance (Le) (mH)	0
Resonant Frequency (Fs) (Hz)	200
Mechanical Q Factor (Qms)	5.7
Electrical Q Factor (Qes)	1.37
Total Q Factor (Qts)	1.11

Material Descriptions

Basket Type	Stamped Steel with zinc plating
Terminal Size (mm)	5.2 mm x 0.5 mm
Voice Coil Diameter (mm)	25.4
Voice Coil Wire Material	Copper
Voice Coil Former Material	Aluminum
Magnet Material	Ferrite
Magnet Weight (gm)	284 (10.0 ounces)
Cone Body Material	Red Acrylic Treated Cloth
Cone Surround Material	Red Acrylic Treated Cloth
Spider Material	Polycotton
Dust Cap Material	Red Acrylic Treated Cloth

