

THIS IS A "BUILT TO ORDER" PRODUCT

**REQUEST A QUOTE**

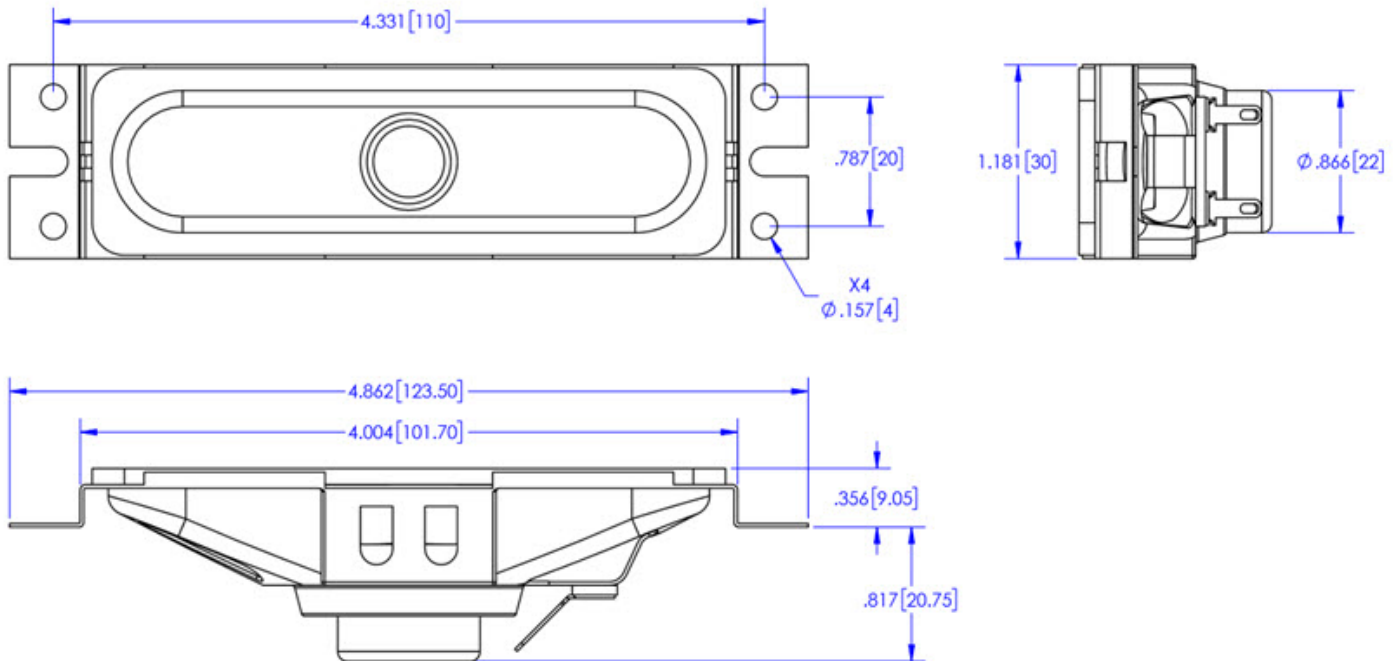
This compact wide-range speaker provides high output through its neodymium motor system. It also features a black acrylic-treated cone for higher compliance and cone stability.

- Wide range speaker
- 1.2" x 4.7" (31 mm x 120 mm) basket diameter
- 4 watts, 8 ohms, 85 dB SPL
- 0.5" copper voice coil, paper former
- Neodymium magnet, stamped steel basket
- Engineered paper cone, cloth surround



### Primary Specifications

<b>Size, Nominal (inch &amp; mm)</b>	1" Oval
<b>Rated Impedance (<math>\Omega</math>)</b>	8
<b>Sensitivity (dB SPL) <sup>1</sup></b>	85
<b>Frequency Range (Hz)</b>	200 - 14,000
<b>Resonant Frequency (Fs) (Hz)</b>	250



### More Specifications

<b>Application</b>	Arcade Gaming, Casino Gaming, Drive-Thru / Kiosk, Signal / Alarm Systems, Voice Communications
<b>RoHS Compliant</b>	Yes
<b>DC Resistance (Re) (<math>\Omega</math>)</b>	6.8
<b>Program Power (W)</b>	8

### Small Signal Parameters

<b>Nominal Impedance (Z) (<math>\Omega</math>)</b>	8
<b>DC Resistance (Re) (<math>\Omega</math>)</b>	6.8
<b>Voice Coil Inductance (Le) (mH)</b>	0
<b>Resonant Frequency (Fs) (Hz)</b>	250
<b>Mechanical Q Factor (Qms)</b>	3.76
<b>Electrical Q Factor (Qes)</b>	4.17
<b>Total Q Factor (Qts)</b>	1.98

### Material Descriptions

<b>Basket Type</b>	Stamped Steel with zinc plating
<b>Terminal Size (mm)</b>	5.2 x 0.5
<b>Voice Coil Diameter (mm)</b>	12.7
<b>Voice Coil Wire Material</b>	Copper
<b>Voice Coil Former Material</b>	Paper
<b>Magnet Material</b>	Neodymium
<b>Magnet Weight (gm)</b>	2
<b>Cone Body Material</b>	Engineered Paper
<b>Cone Surround Material</b>	Cloth
<b>Spider Material</b>	Cloth
<b>Dust Cap Material</b>	Engineered paper
<b>Net Weight (kg)</b>	0.049



