

THIS IS A "BUILT TO ORDER" PRODUCT.

REQUEST A QUOTE

Designed for outdoor / indoor wide-range applications, this speaker can also be used for voice communications and music. The acrylic-treated black cloth surround provides additional years of projected life (depending on environment), compliance, and stability for the cone. The cone is moisture resistant to withstand high humidity and moisture.

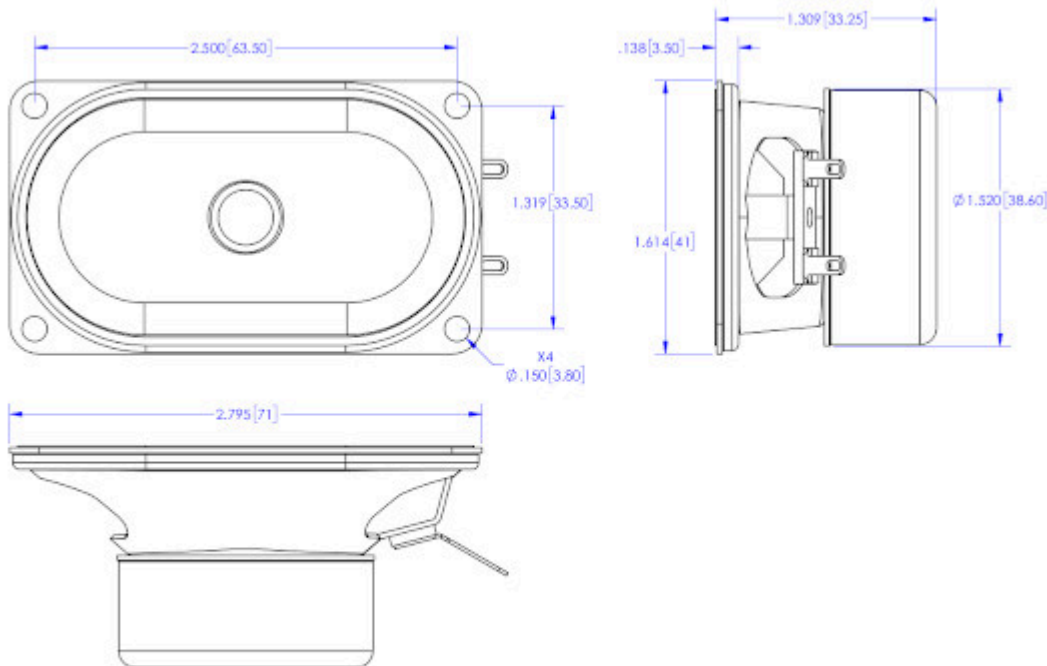
- Wide range speaker
- 1.5" x 2.8" (41 mm x 71 mm) basket diameter
- 3 watts, 8 ohms, 86 dB SPL
- 0.6" copper voice coil, paper former
- Ferrite magnet, shielded steel
- Water resistant paper cone, pre-treated cloth surround

This speaker is front or rear mountable and features a four-hole mount design for ease of front or rear flush mounting.



Primary Specifications

Size, Nominal (inch & mm)	1.6" X 2.8" (41 mm X 71 mm)
Rated Impedance (Ω)	8
Sensitivity (dB SPL) ¹	86
Frequency Range (Hz)	240 - 20, 000
Resonant Frequency (Fs) (Hz)	240



OAKTRON
by MISCO

P/N: 740F08-SHWP

More Specifications

Application	Arcade Gaming, Casino Gaming, Indoor, Kiosk, Outdoor , Voice Communications
RoHS Compliant	Yes
DC Resistance (Re) (Ω)	7.6
Program Power (W)	6

Small Signal Parameters

Nominal Impedance (Z) (Ω)	8
DC Resistance (Re) (Ω)	7.6
Voice Coil Inductance (Le) (mH)	0
Resonant Frequency (Fs) (Hz)	240
Mechanical Q Factor (Qms)	6.8
Electrical Q Factor (Qes)	3.6
Total Q Factor (Qts)	2.31

Material Descriptions

Basket Type	Shielded steel with zinc plating
Terminal Size (mm)	2.8 x 0.5
Voice Coil Diameter (mm)	15.2
Voice Coil Wire Material	Copper
Voice Coil Former Material	Paper
Magnet Material	Ferrite
Magnet Weight (gm)	20
Cone Body Material	Water resistant paper
Cone Surround Material	Pre-treated black cloth
Spider Material	Cloth
Dust Cap Material	Engineered paper
Net Weight (kg)	0.11

