

THIS IS A "BUILT TO ORDER" PRODUCT.

REQUEST A QUOTE

Designed for high output and high sensitivity, this outdoor / indoor wide-range speaker can be used for voice communications and music. This high-sensitivity speaker can make small amplifiers sound larger. The acrylic-treated cloth cone, surround, and dust cap provides additional years of projected life (depending on environment). It features a four-hole mount design for ease of front or rear flush mounting.

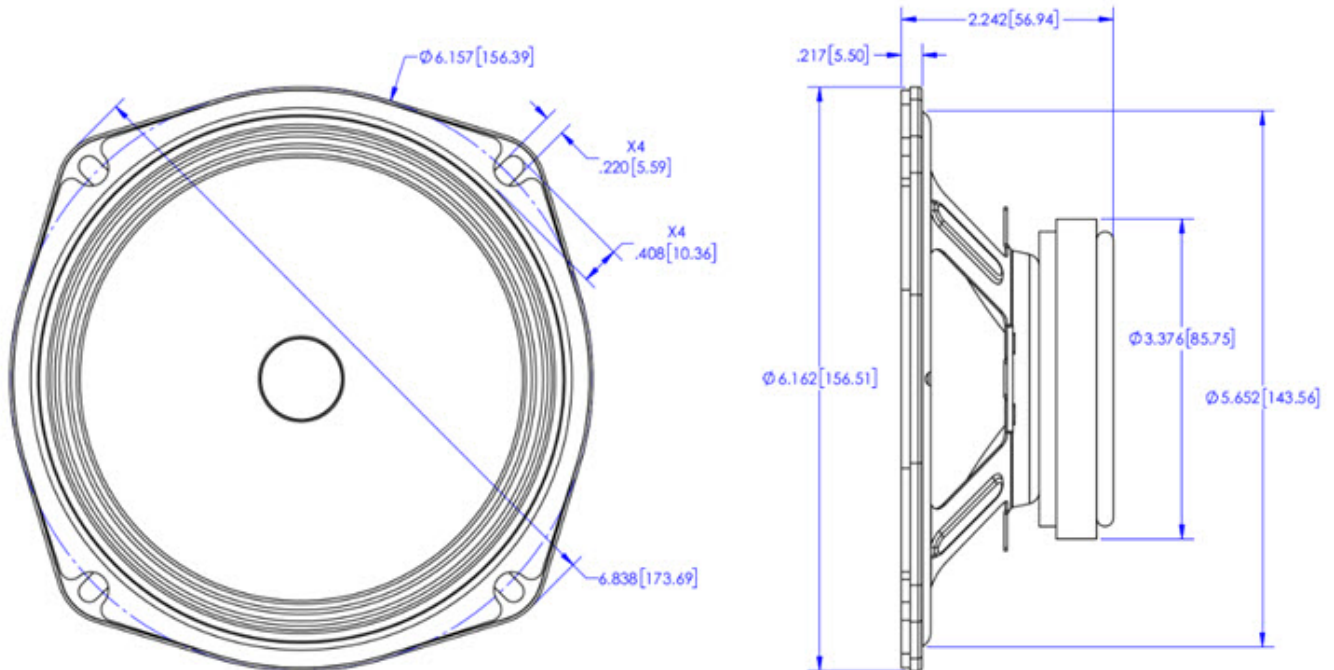
- Acrylic-treated cone and edge compliance
- Voice / Communications Applications
- 30 watts program power
- Aluminum voice coil form
- High Energy (HE) ferrite magnet
- Steel basket construction

It features a waterproof, acrylic-treated cone and dust cap.



Primary Specifications

Size, Nominal (inch & mm)	6" (156 mm)
Rated Impedance (Ω)	8
Sensitivity (dB SPL) ¹	95
Frequency Range (Hz)	100 - 8,000
Resonant Frequency (Fs) (Hz)	170



More Specifications

Application	Arcade Gaming, Commercial, Kiosk, Military, Outdoor , Transit, Voice Communications
RoHS Compliant	No
DC Resistance (Re) (Ω)	6.0
Program Power (W)	30

Small Signal Parameters

Nominal Impedance (Z) (Ω)	8
DC Resistance (Re) (Ω)	6.0
Voice Coil Inductance (Le) (mH)	0
Resonant Frequency (Fs) (Hz)	170
Mechanical Q Factor (Qms)	7.70
Electrical Q Factor (Qes)	2.06
Total Q Factor (Qts)	1.62

Material Descriptions

Basket Type	Stamped steel with zinc plating
Terminal Size (mm)	5.7 mm X 0.5 mm
Voice Coil Diameter (mm)	25.4
Voice Coil Wire Material	Copper
Voice Coil Former Material	Aluminum
Magnet Material	Ferrite
Magnet Weight (gm)	284
Cone Body Material	Red acrylic treated cloth
Cone Surround Material	Red acrylic treated cloth
Spider Material	Acrylic treated cloth
Dust Cap Material	Treated felt
Net Weight (kg)	0.79



