

This Oaktron woofer was designed for high quality home audio music systems and is a great solution for bookshelf design systems. Its robust die cast aluminum basket supports a talc-filled polypropylene cone with a natural rubber surround.

- Woofer
- 5.25" (133 mm) basket diameter
- 50 watts, 4 ohms, 87 dB SPL
- 1" aluminum voice coil, polyimide film former
- Large ferrite magnet, cast aluminum basket
- Polypropylene cone, molded NBR surround

MISCO engineers test and analyze the performance of these speakers, using world's most sophisticated loudspeaker measurement systems including Klippel Analyzer and Klippel QC, which are used to validate final design.

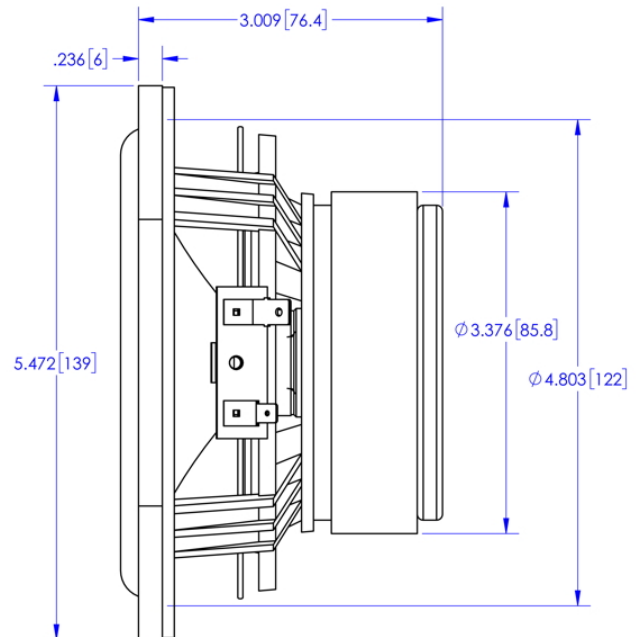
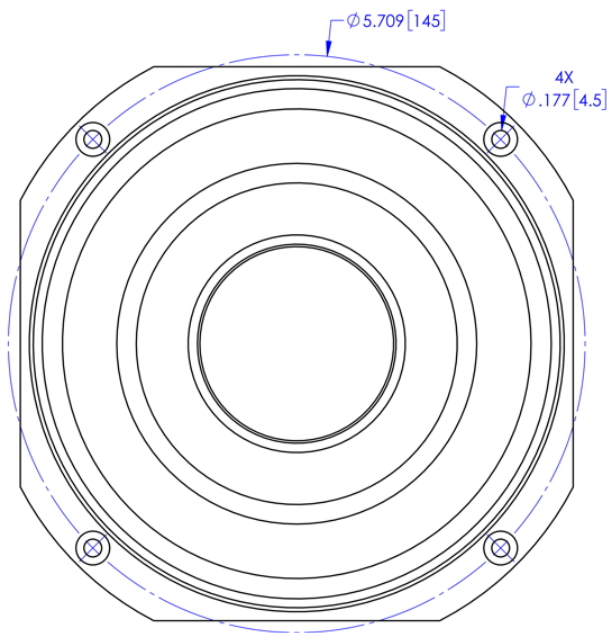
Oaktron by MISCO is the premium line of high performance, ready-to-ship transducers for a wide variety of applications including high fidelity, musical instrument, automotive and many more. From elegantly simple to highly specialized designs for unique and demanding applications, there is an Oaktron loudspeaker perfectly suited for your needs.

Pair this woofer with one of our [MISCO Amplifiers](#).



Primary Specifications

| | |
|--|----------------|
| Size, Nominal (inch & mm) | 5.25" (133 mm) |
| Rated Impedance (Ω) | 4 |
| Continuous Power (W) | 50 |
| Sensitivity (dB SPL) ¹ | 87 |
| Frequency Range (Hz) | 38 - 9, 400 |
| Resonant Frequency (Fs) (Hz) | 51 |



More Specifications

| | |
|---|--|
| Application | High-End Audio and Home Theater, Home Audio, Pro Sound |
| RoHS Compliant | Yes |
| DC Resistance (Re) (Ω) | 3.5 |
| Program Power (W) | 100 |
| Continuous Power (W) | 50 |

Small Signal Parameters

| | |
|--|-------|
| Nominal Impedance (Z) (Ω) | 4 |
| DC Resistance (Re) (Ω) | 3.5 |
| Voice Coil Inductance (Le) (mH) | 0.36 |
| Resonant Frequency (Fs) (Hz) | 51 |
| Mechanical Q Factor (Qms) | 5.43 |
| Electrical Q Factor (Qes) | 0.51 |
| Total Q Factor (Qts) | 0.47 |
| Moving Mass (Mms) (gm) | 10.7 |
| Suspension Compliance (Cms) (mm/N) | 0.90 |
| Mechanical Resistance (Rms) (kg/s) | 0.64 |
| Surface Area of Diaphragm (Sd) (cm²) | 88.3 |
| Compliance Equivalent Volume (Vas) (L) | 9.88 |
| Motor Force Factor (BL) (T•M) | 4.8 |
| Efficiency (η_0) (%) | 0.25 |
| Efficiency Bandwidth Product (EBP) (Fs/Qes) | 100.8 |

Material Descriptions

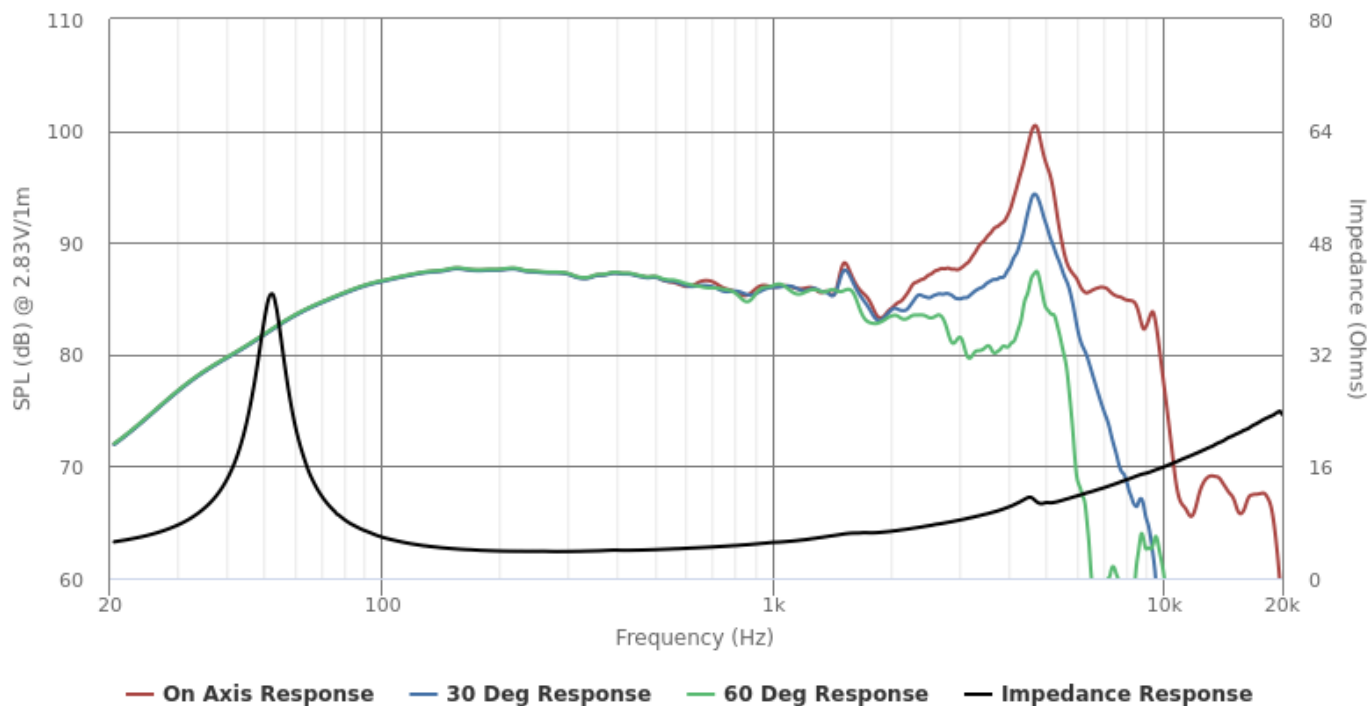
| | |
|-----------------------------------|--|
| Basket Type | Die cast aluminum with black powder coat |
| Terminal Size (mm) | 6.4 x 0.8 mm / 4.7 x 0.5 mm |
| Voice Coil Diameter (mm) | 25.8 |
| Voice Coil Wire Material | Aluminum |
| Voice Coil Former Material | Polyimide film |
| Magnet Material | Ferrite |
| Magnet Weight (gm) | 568 |
| Cone Body Material | Talc filled, polypropylene |
| Cone Surround Material | Molded NBR |
| Spider Material | Conex |
| Dust Cap Material | Talc filled, polypropylene |

Net Weight (kg)

1.23



Frequency & Impedance Response



Highcharts.com

